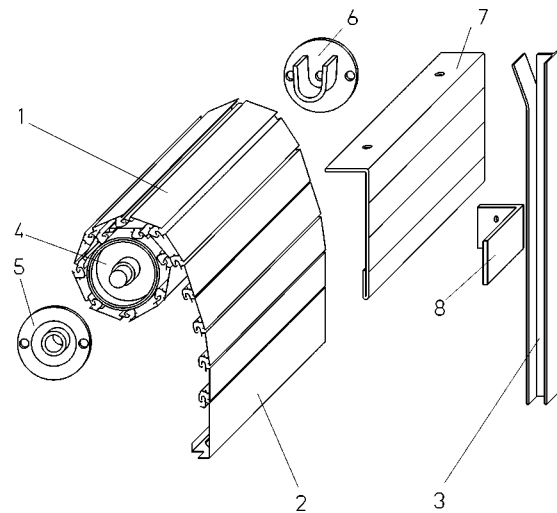


Mounting Instructions

These instructions are for use by professionals who are experienced with the installation of technical components. Therefore there will be no instruction on the basics.

Pos	Description	Number
1	main profile	H1/55s; H1/41s; H1/41es; 21s; 21es
2	locking slat	21as
3	guide rail	15u; F1F4
4	spring shaft	-
5	gear	342TLr20 08; 342TLr30 08; 350TLr 35; 360TI 50
6	gear (support)	342TMr20 08; 342TMr30 08; 350TMr 35; 360TM 50
7	cover panel	as per drawing
8	mounting bracket	as per drawing

For vertical rollers Version C



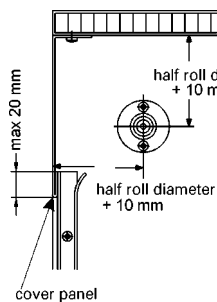
Step 1

Unpack merchandise and check the contents as per packing list. Check merchandise for damages.

Step 2

Fastening of the gears

Determine the roll's diameter as per table. Using the roll diameter and figure, the position of the gear inside the cabinet can be determined. You have to make sure that the gears are attached on the correct side. If the letter "L" is engraved on the spring shaft pin (standard delivery), then



profile height	clear cabinet height							
	300	500	750	1000	1250	1500	1750	2000
18	85	100	120	120	140	160	160	175
24	85	100	120	140	140	160	165	175
24 double	105	120	120	140	140	160	160	175
34				135	150	160	170	185
34 double				135	155	155	175	180

pos. 6 will be mounted on the right cabinet panel (standing in front of the roller shutter). Screw on the gears using Hospa pan head, 4 diameter.

Step 3

Pre-drill the positions for fastening holes

Pre-drill the positions for the guide rail and cover strip fastening holes (Please make sure the dimensions are as per figure).

Step 4

Mount the spring shaft

Place the spring shaft into the gear after sliding the gear pin into pos. 5.

Step 5

Fasten the roller shutter onto the spring shaft and pre-tighten the spring

There are two ways to do step 5:

The first way goes like this: Tighten the spring shaft in direction of unrolling by rotating it the number of times as per table 2 plus one more rotation. Now fasten the roller shutter (while holding the pre-tightened position) onto the spring shaft (pre-drilled holes) using the enclosed rivets.

profile height	clear cabinet height							
	300	500	750	1000	1250	1500	1750	2000
18	2	3	4	5	5	6	6	7
24	2	3	4	5	5	6	6	7
24 double	2	3	4	5	5	6	6	7
34				4	5	5	6	6
34 double				4	5	5	6	6

The other way goes as follows: As already described above, fasten the roller shutter onto the spring shaft, but without pre-tightening it. Once the roller shutter is attached, wind the roller shutter around the spring shaft.

Then you rotate the roll one more time in the direction of unrolling (pre-tightening). If the locking slat is in the way when you do this, you need to take it out after pulling out the stopper.

Take note: If you tighten the roll in the wrong direction, the spring shaft will be damaged.

Step 6

Check the pre-tightening

Push the roller shutter up and down to check whether the shutter runs like you want it to. If the pre-tightening needs changing, you can do this by turning the roll while the roller shutter is rolled up.

To increase pre-tightening: turn the roll in the direction of unrolling.

To decrease pre-tightening: turn the roll in the direction of rolling up.

Step 7

Attach the cover panel

Because of limited space, attach the cover panel as per figure 1 (Hospa pan head 4mm diameter). Pull out the roller shutter for this purpose.

Step 8

Attach the guide rails

Fasten the guide rails using Hospa countersunk screws of 4mm diameter.

The cover panel is curved inward, so that you need to press it lightly into the end position together with the guide rail.

Take note: The guide rails must be mounted parallel to each other across the entire height.

Step 9

Screw on the mounting brackets

The locking slat should not knock against the cover panel. Use the enclosed mounting brackets. These are to be screwed on both sides of the cabinet.

Step 10

Run characteristics

In order to improve the run of the roller shutter in the guide rails, we recommend that you put a glide film onto the rails. You can use a silicon spray, available in most hardware stores.

Take note: The guide rails must NOT be greased or oiled.