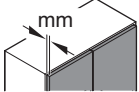







## Slido F-Line43 70A

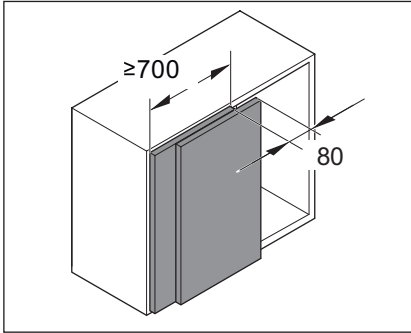
|            |            |
|------------|------------|
| 402.35.000 | 402.35.006 |
| 402.35.001 | 402.35.007 |
| 402.35.002 | 402.35.008 |
| 402.35.003 | 402.35.009 |
| 402.35.004 | 402.35.010 |
| 402.35.005 | 402.35.011 |

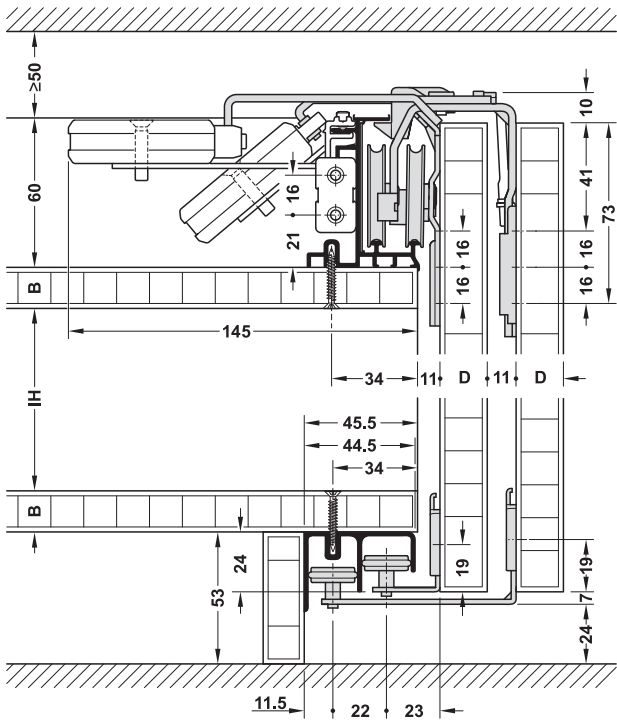
|  |  |  |  |
|---|---|---|---|
| ≤ 19  | 402.35.000  | 402.35.004  | 402.35.008  |
| ≤ 24  | 402.35.001  | 402.35.005  | 402.35.009  |
| ≤ 28  | 402.35.002  | 402.35.006  | 402.35.010  |
| ≤ 40  | 402.35.003  | 402.35.007  | 402.35.011  |

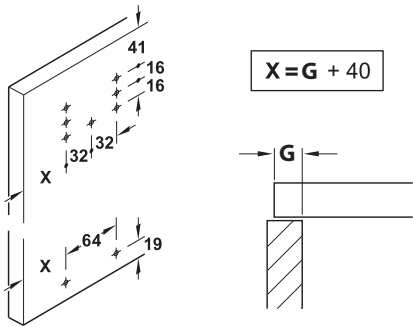
732.24.163

i

„mm“









X = G + 40

C = 2 x B + A + 82



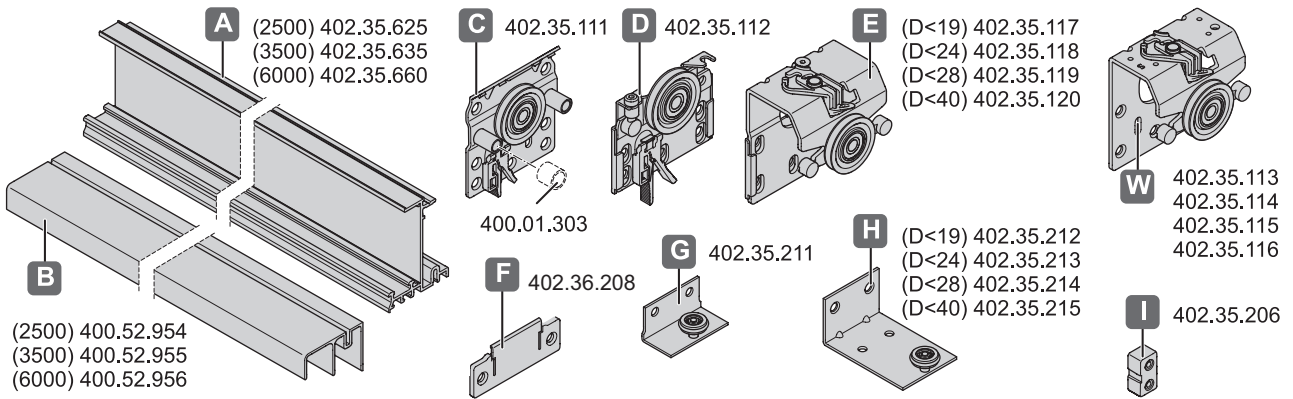
Euro Ø 6

---

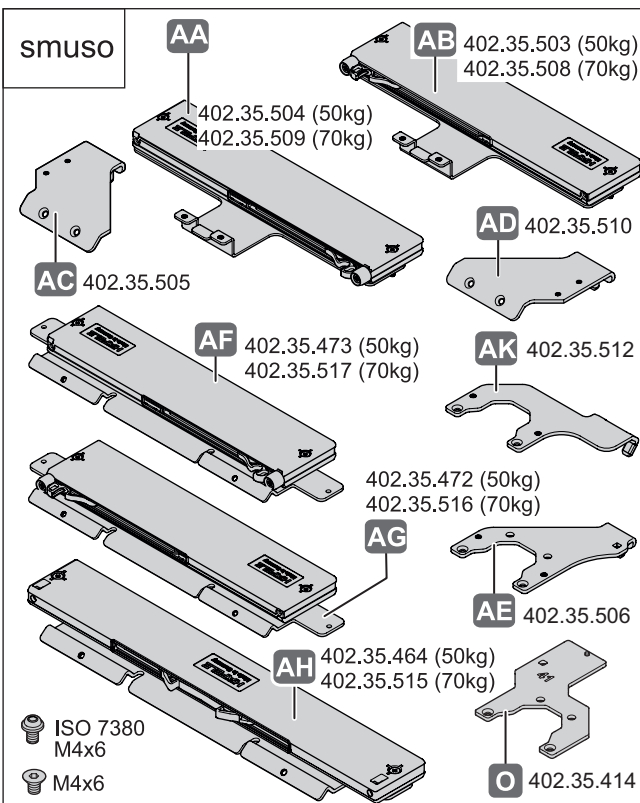
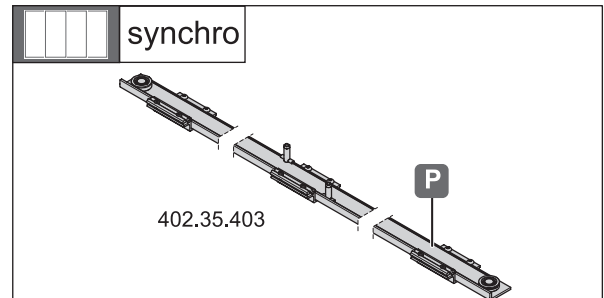


Ø 5

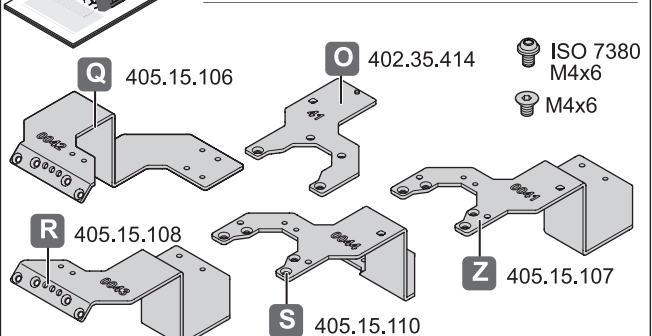
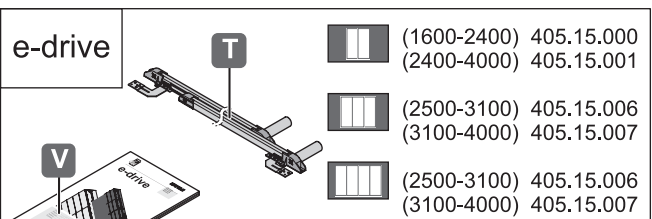
HDE 17.01.2022



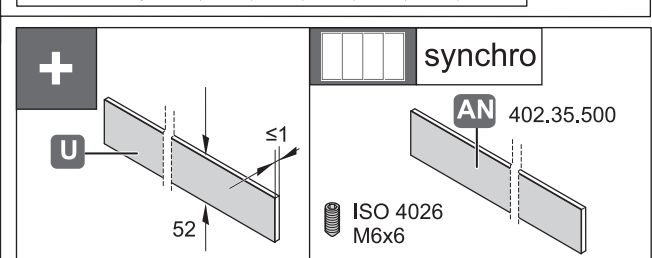
|  | A  | B  | C  | D  | E  | F  | G  | H  | I  | P  | W  |
|--|----|----|----|----|----|----|----|----|----|----|----|
|  | 1x | 1x | 1x | 1x | 1x | 4x | 2x | 2x | 2x | -  | 1x |
|  | 1x | 1x | 2x | 2x | 1x | 6x | 4x | 2x | 2x | -  | 1x |
|  | 1x | 1x | 2x | 2x | 2x | 8x | 4x | 4x | 2x | 1x | 2x |



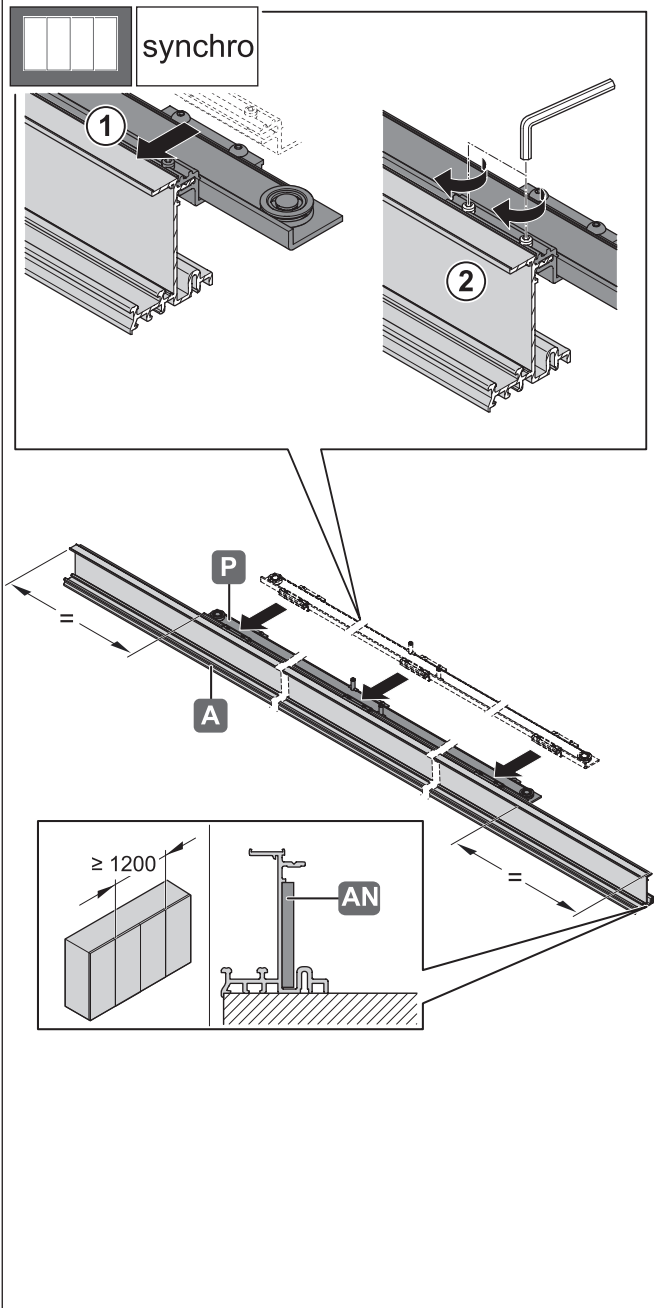
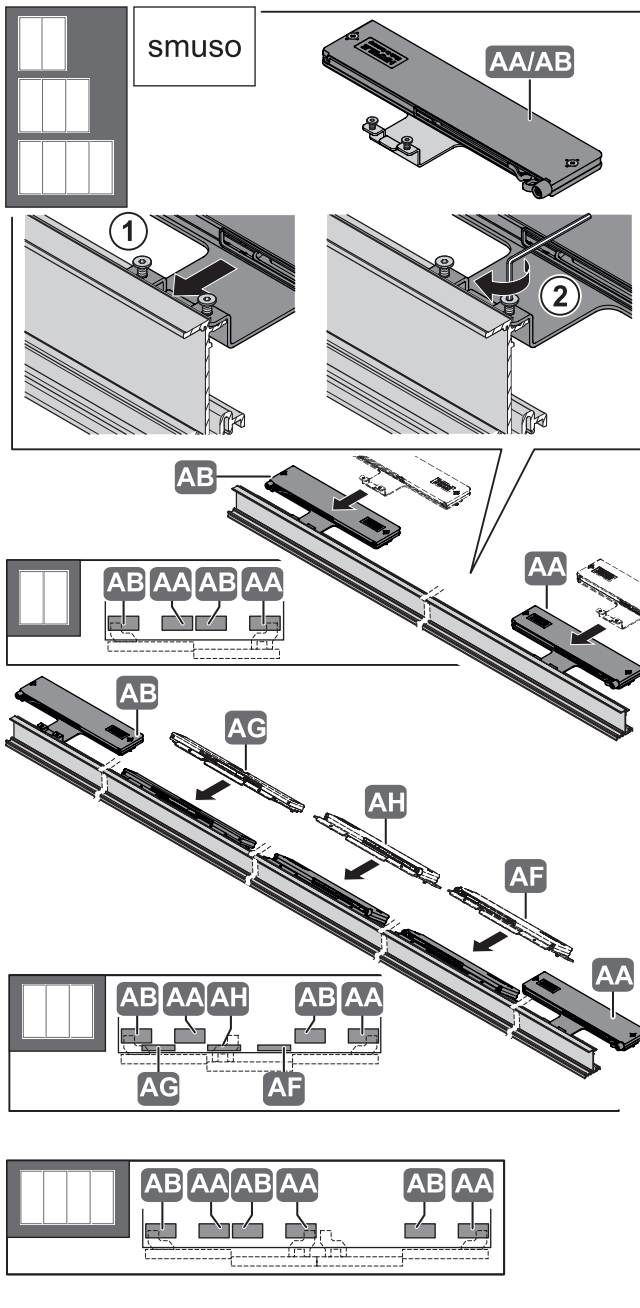
|  | AA | AB | AC | AD | AE | O  | AF | AG | AH | AK |
|--|----|----|----|----|----|----|----|----|----|----|
|  | 2x | 2x | 1x | -  | 1x | -  | -  | -  | -  | -  |
|  | 2x | 2x | 1x | 1x | -  | -  | 1x | 1x | 1x | 1x |
|  | 3x | 3x | 1x | 1x | 1x | 1x | -  | -  | -  | -  |



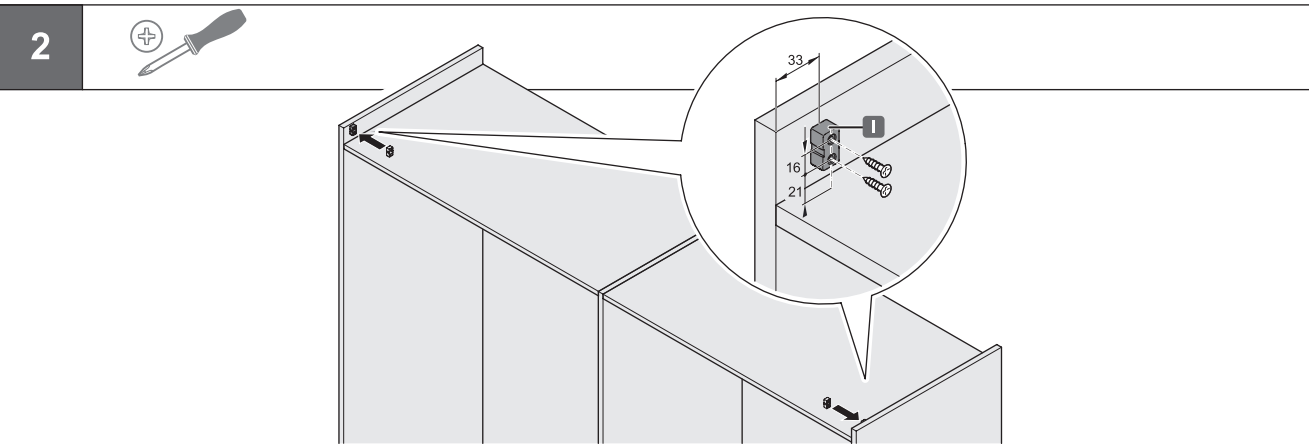
|  | O  | P  | Q  | R  | S  | T  | Z  |
|--|----|----|----|----|----|----|----|
|  | -  | -  | 1x | -  | -  | 1x | 1x |
|  | -  | -  | 1x | 1x | 1x | 1x | -  |
|  | 1x | 1x | 1x | 1x | 1x | 1x | -  |

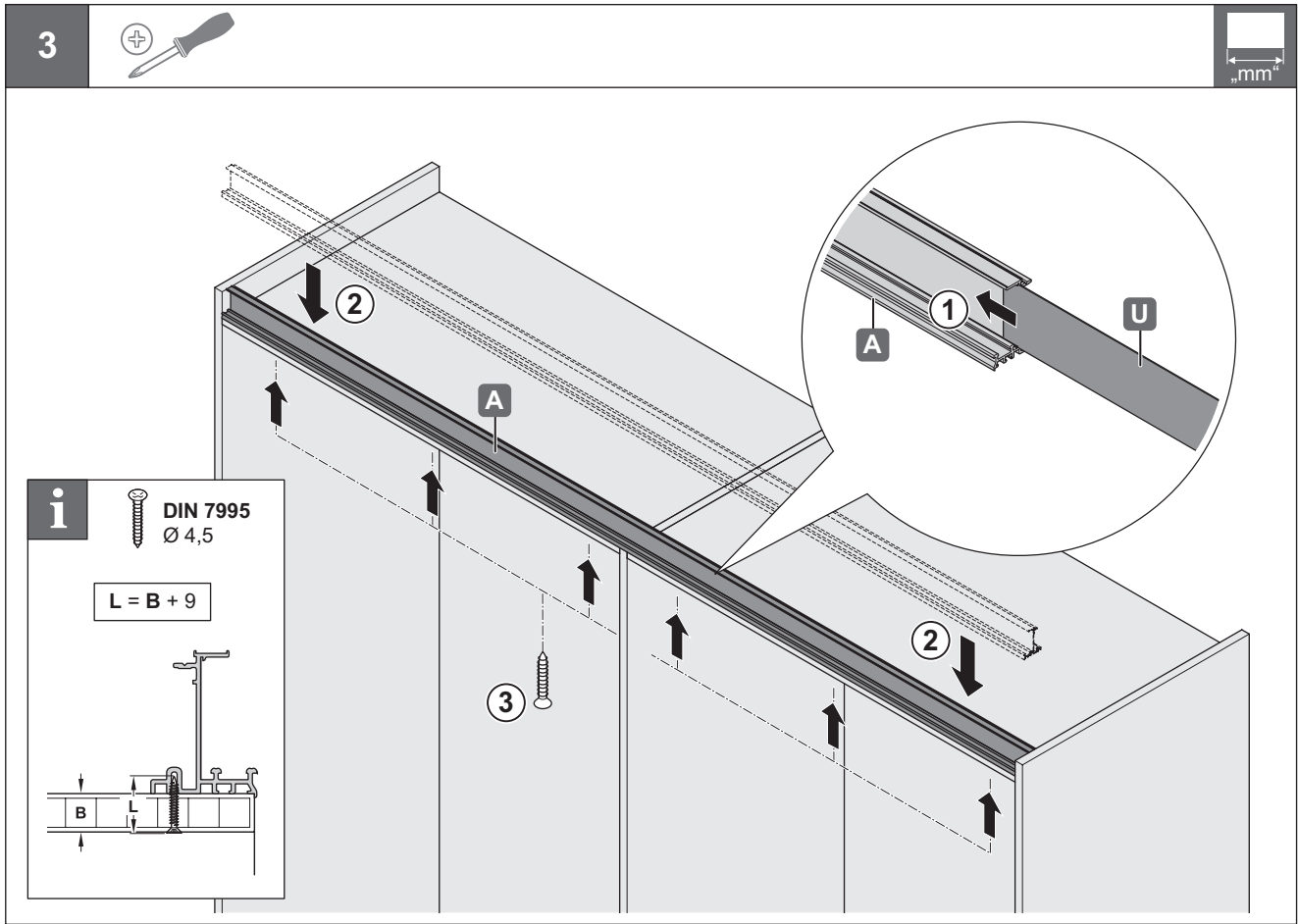


1

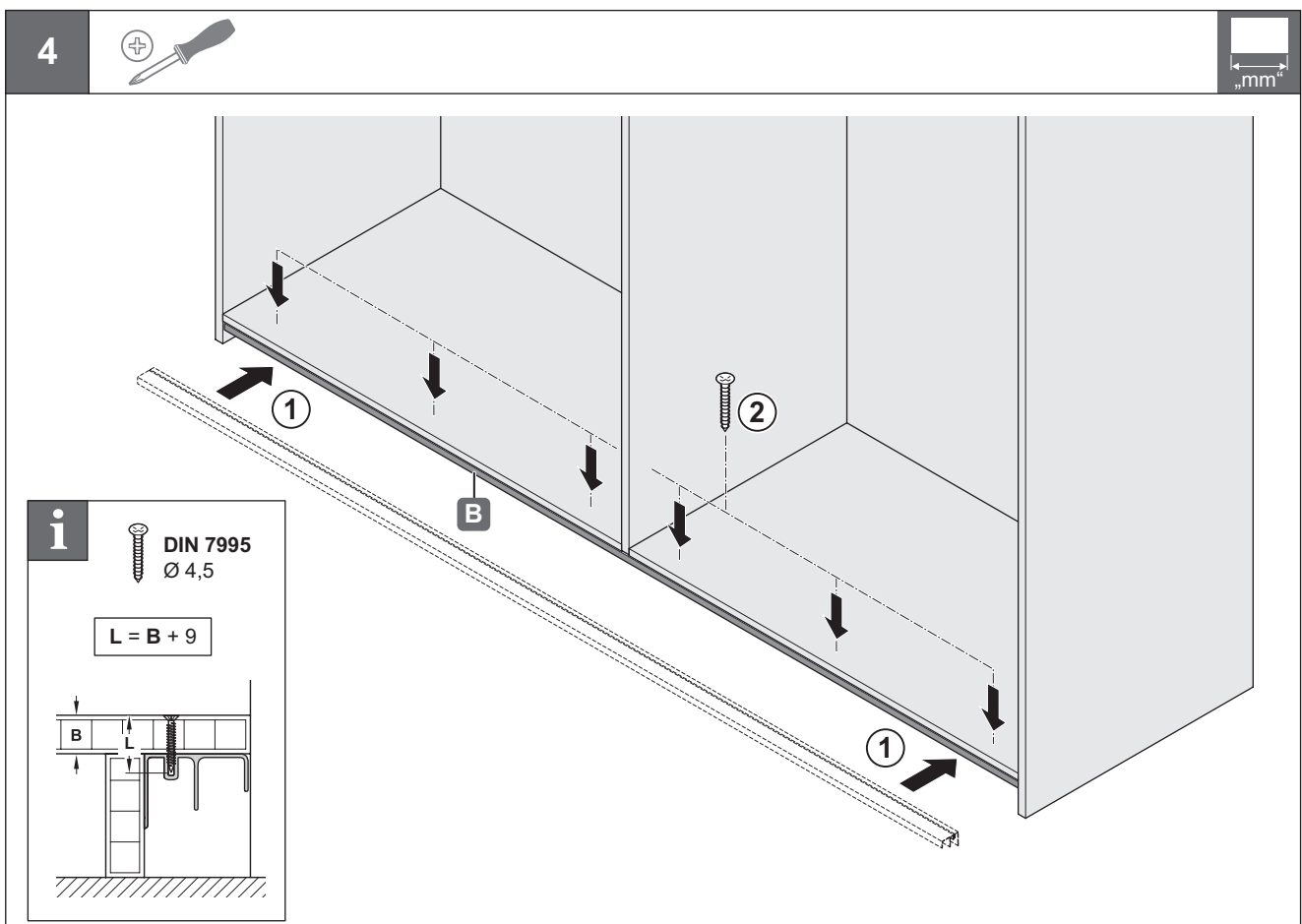


2





732.24.163

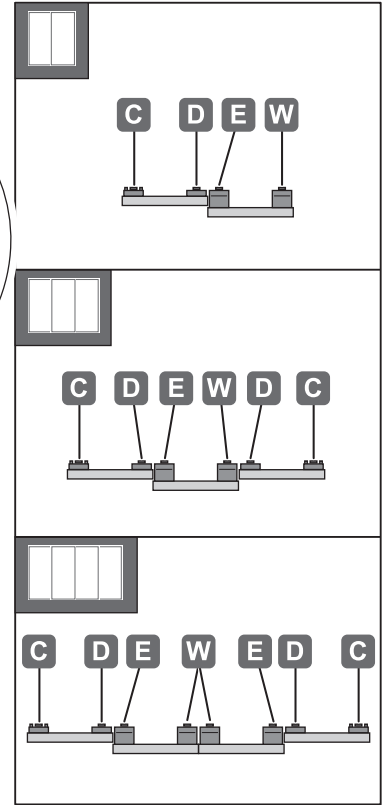
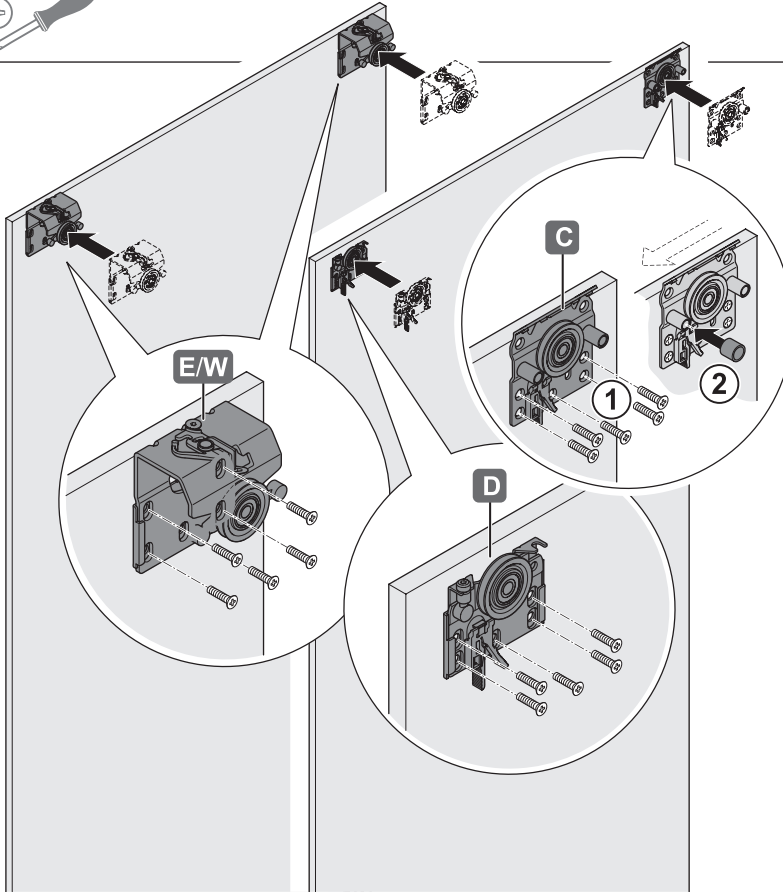


HDE 17.01.2022

5



Euro  
Ø 6

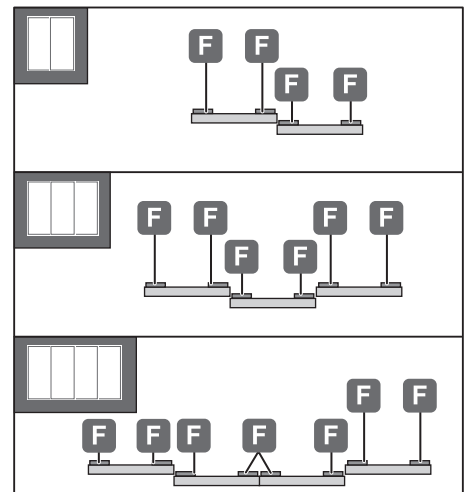
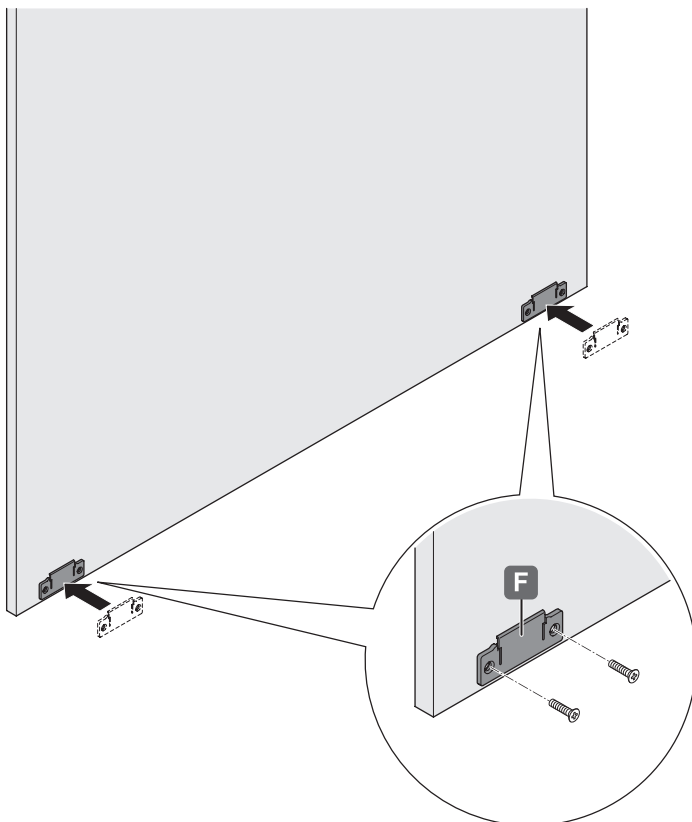


732.24.163

6

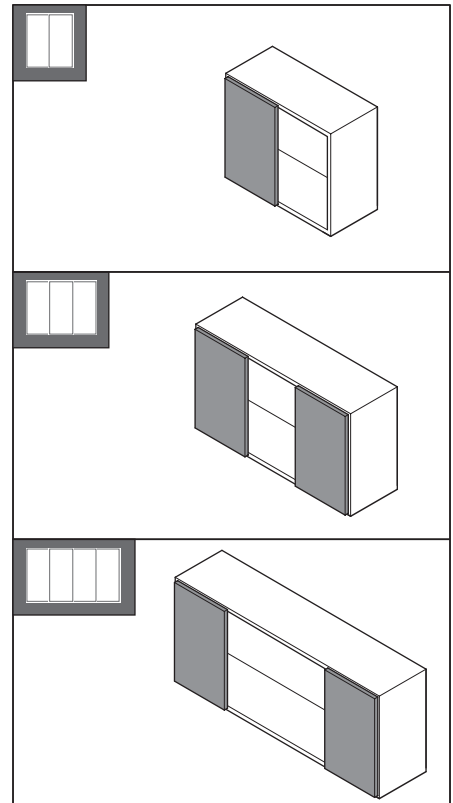
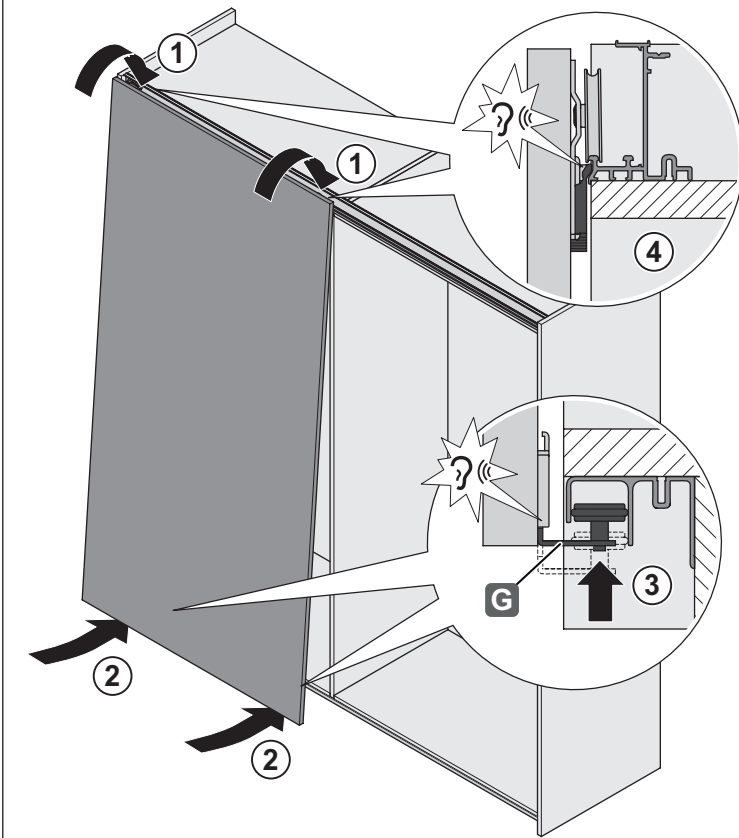


Euro  
Ø 6

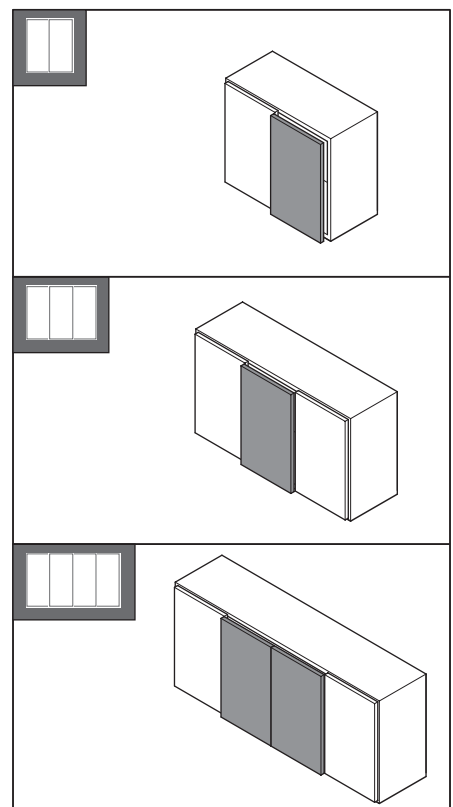
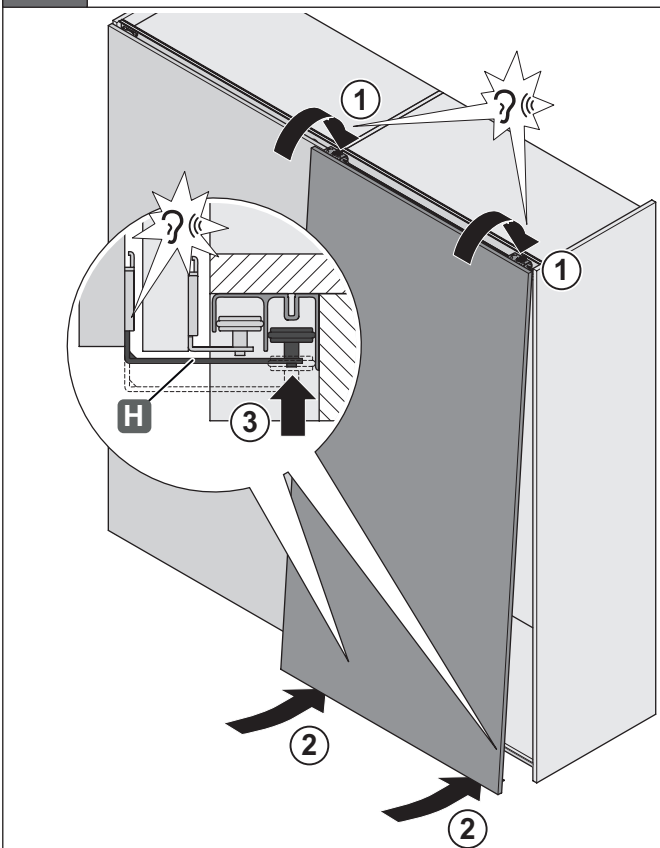


HDE 17.01.2022

7



8



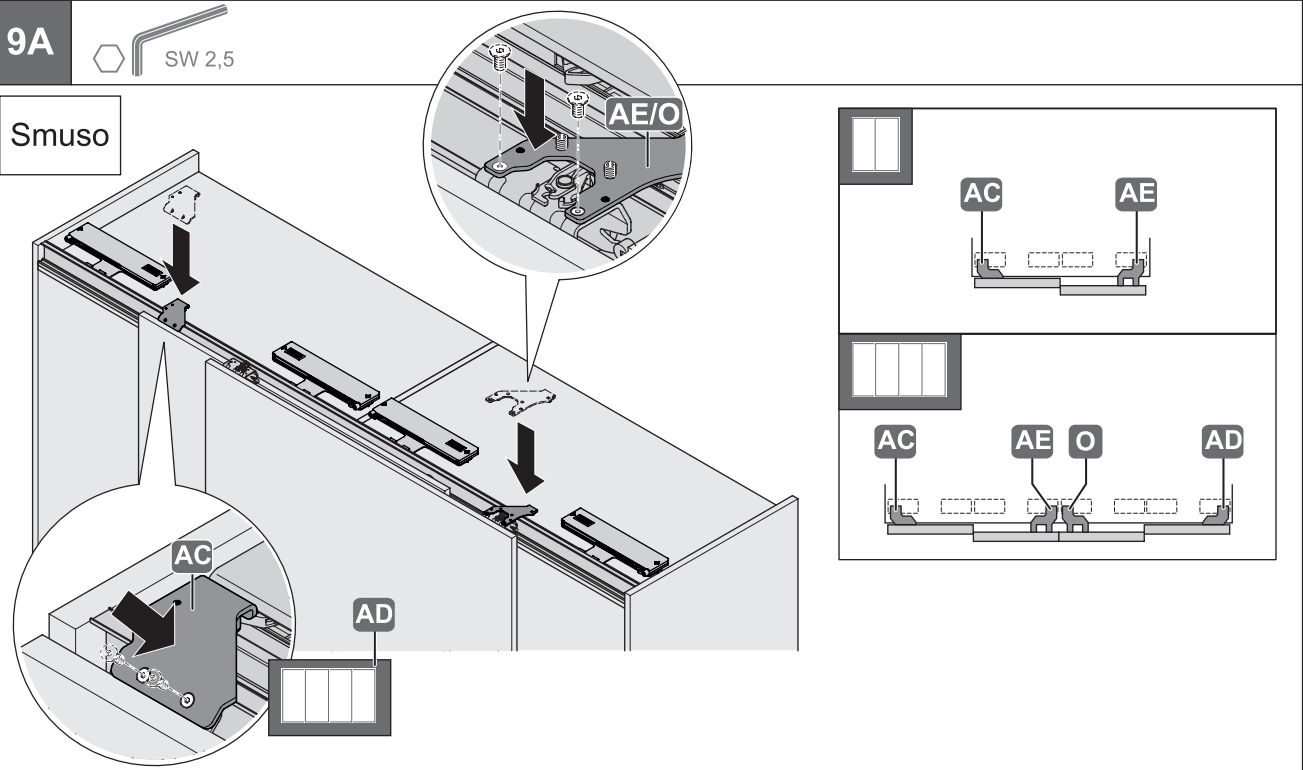
732.24.163

HDE 17.01.2022

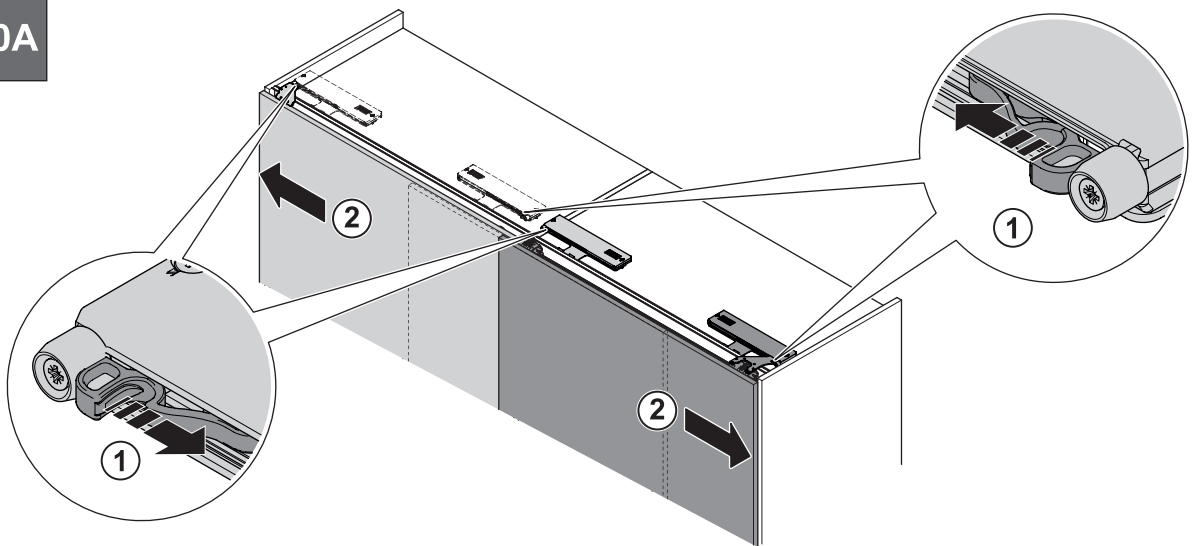
9A



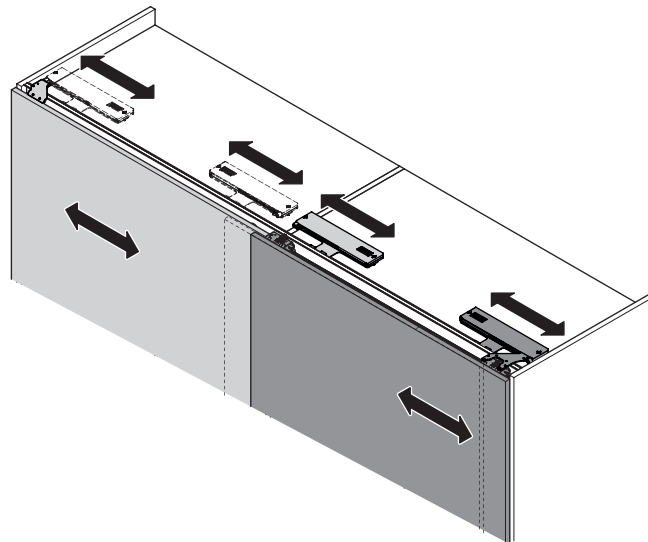
Smuso



10A

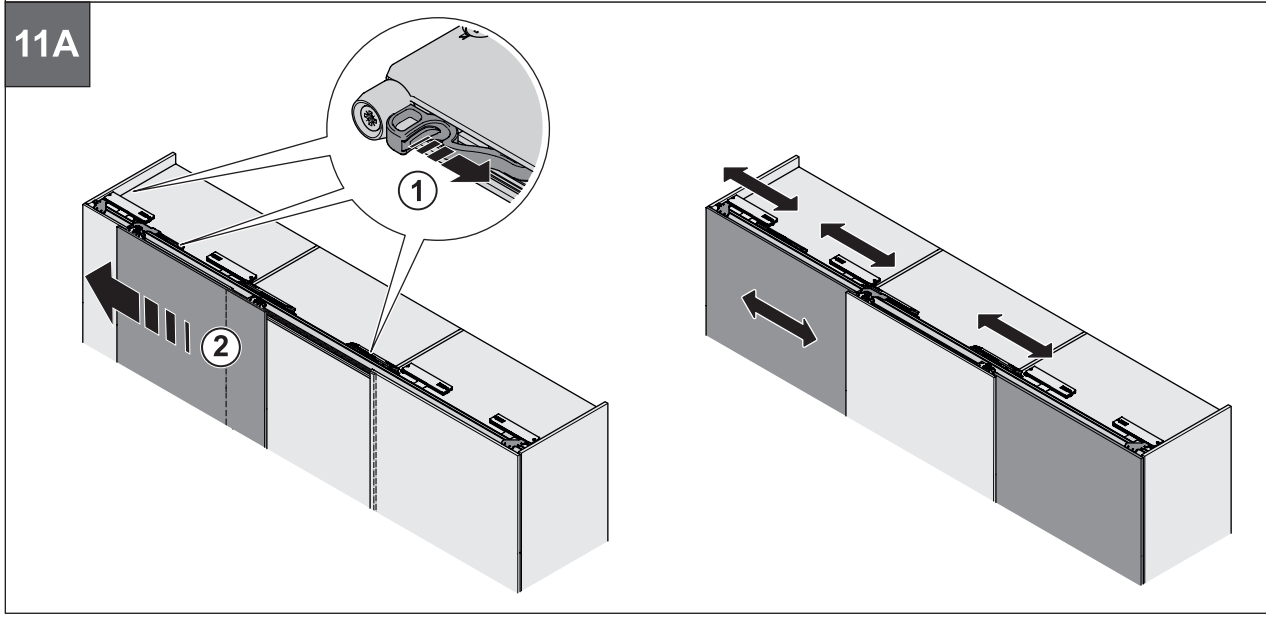
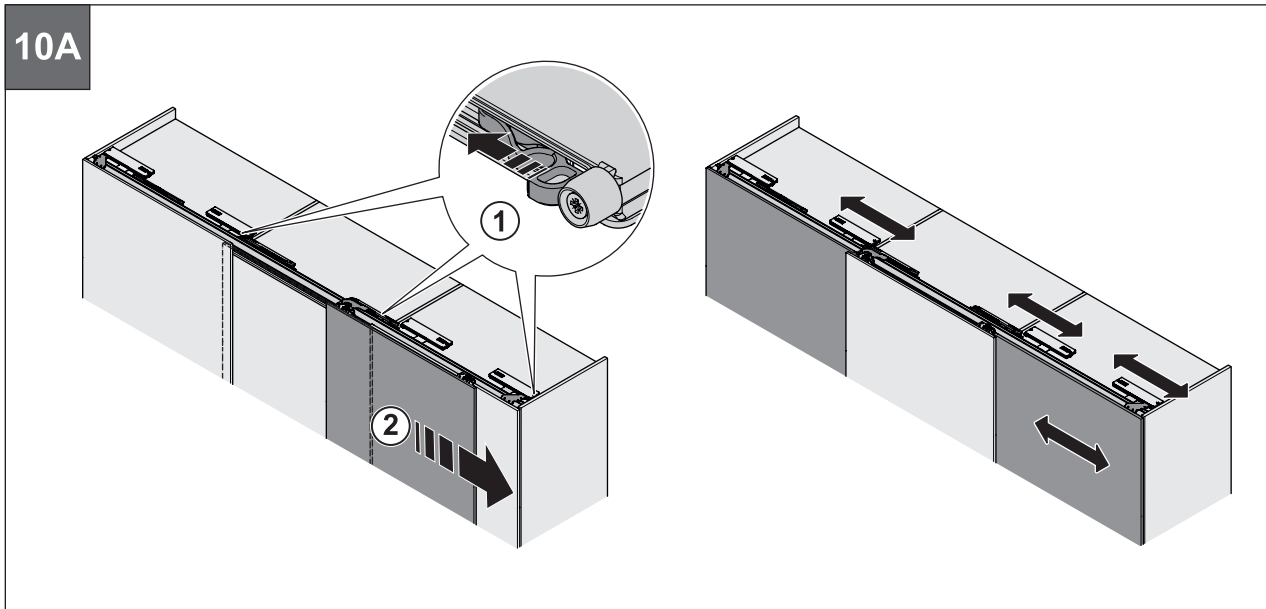
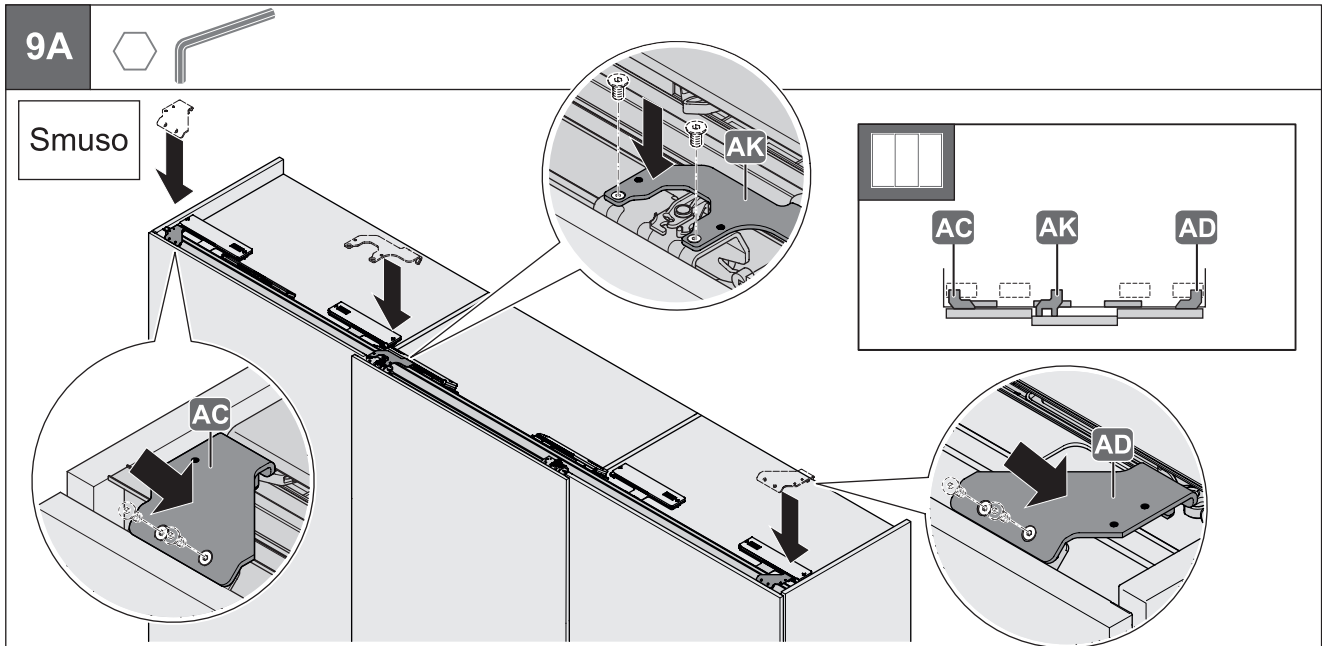


11A



732.24.163

HDE 17.01.2022

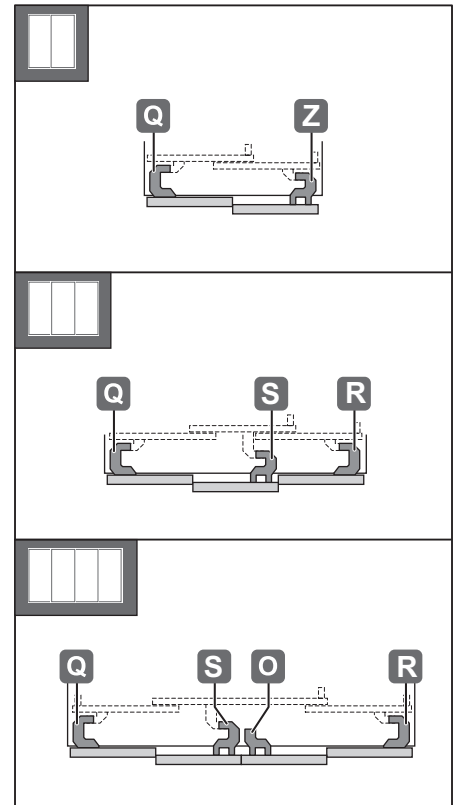
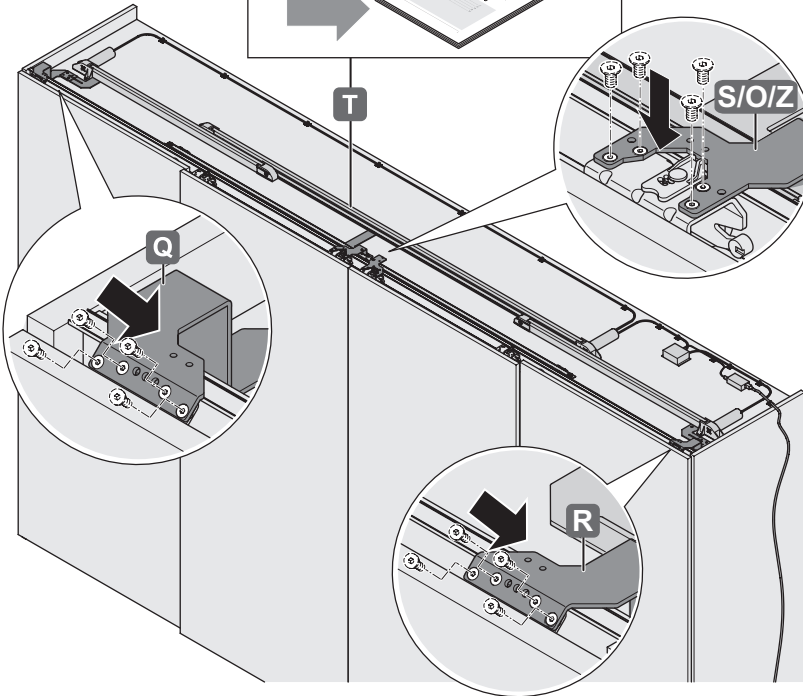
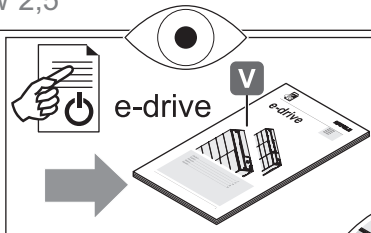




9B



e-drive

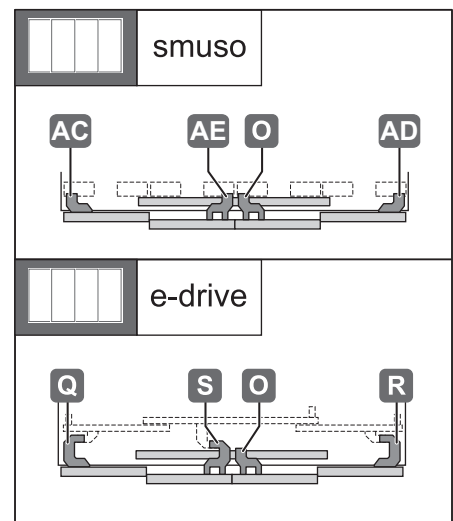
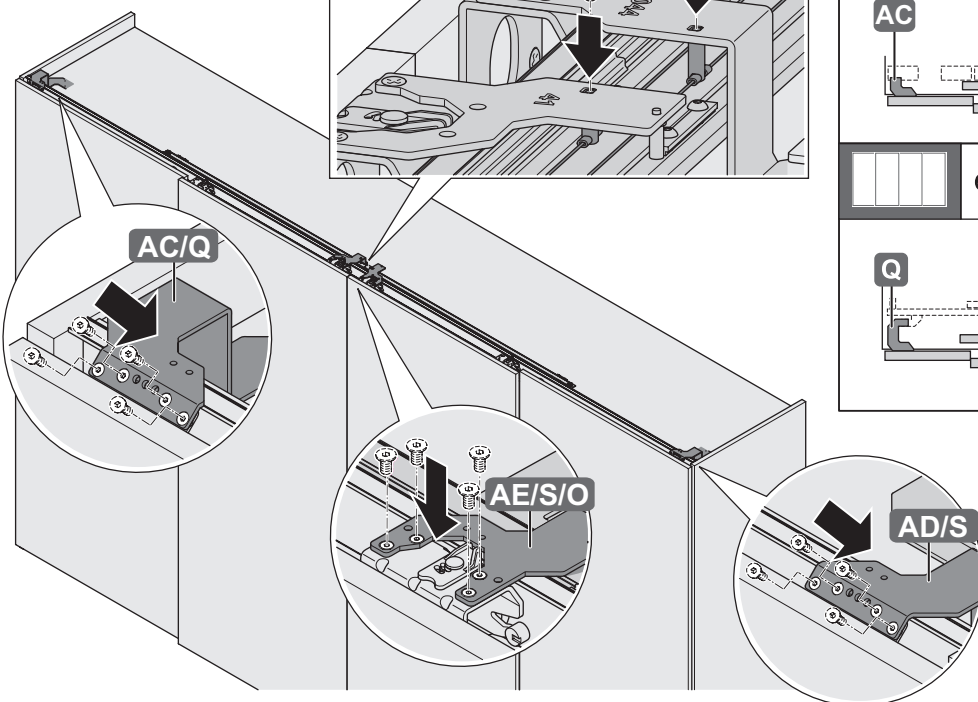
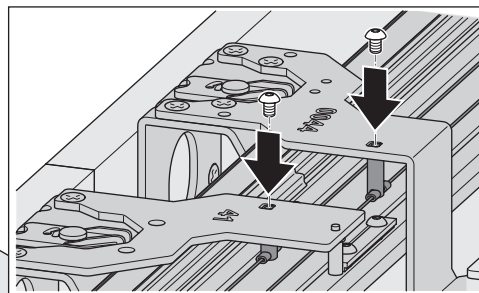


732.24.163

9C

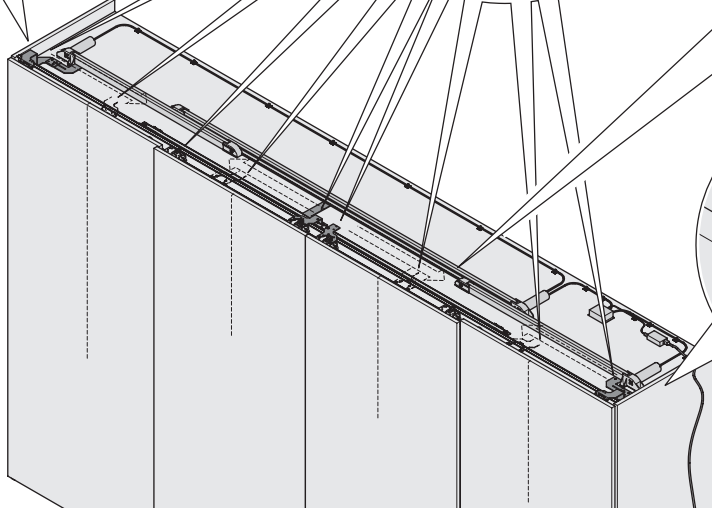
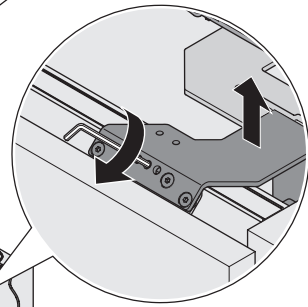
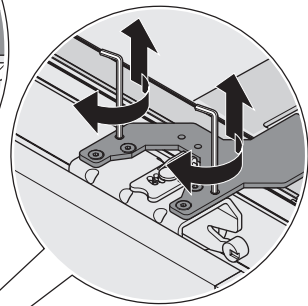
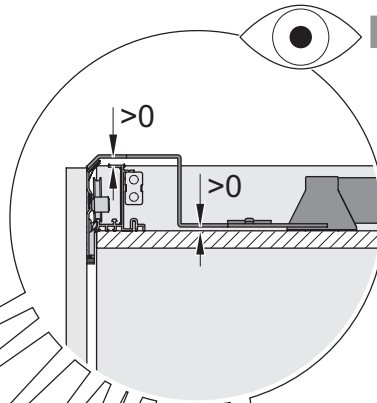
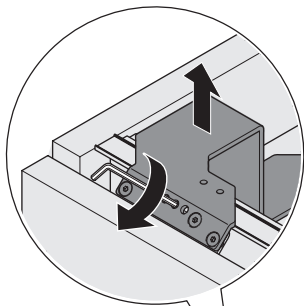
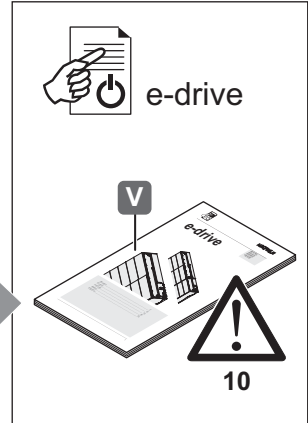
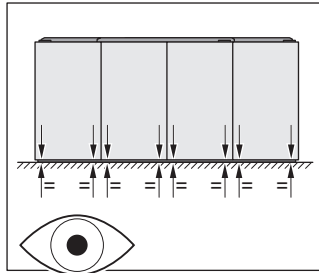
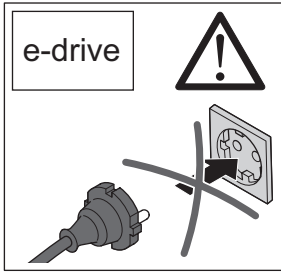


synchro

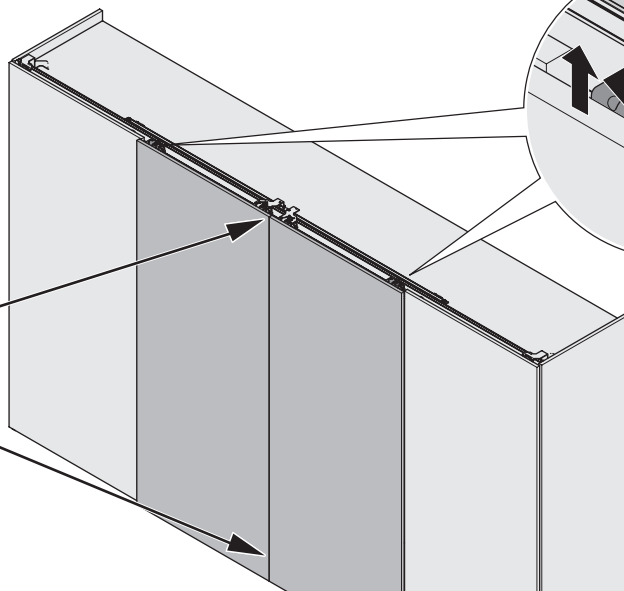
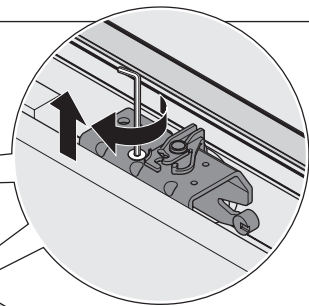
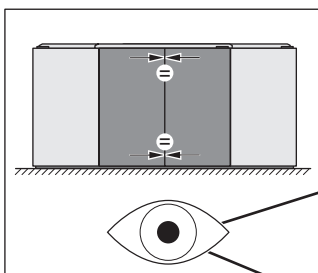


HDE 17.01.2022

10B



e-drive Smuso



11B



e-drive

