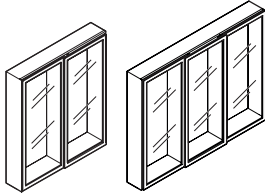




Slido F-Line42 50C

400.51.094	400.51.524
400.51.096	400.51.526



732.24-153

<p>A mm</p> <table border="1" style="font-size: x-small;"> <tr><td>16-20</td><td>400.56.150</td></tr> <tr><td>21-26</td><td>400.56.154</td></tr> </table>	16-20	400.56.150	21-26	400.56.154	<p>B mm</p> <table border="1" style="font-size: x-small;"> <tr><td>16-20</td><td>400.56.156</td></tr> <tr><td>21-26</td><td>400.56.155</td></tr> </table>	16-20	400.56.156	21-26	400.56.155	<p>C 400.56.144</p>	<p>D 400.01.112</p>	<p>E 400.56.148</p>	<p>F 400.56.151</p>
16-20	400.56.150												
21-26	400.56.154												
16-20	400.56.156												
21-26	400.56.155												
<p>G 402.54.474</p>	<p>H 400.96.053</p>	<p>K 400.57.122</p>	<p>L 400.57.121</p>										
<p>M 402.35.206</p>	<p>N 400.51.300</p>	<p>R 402.43.304</p>											

+

HOSPA

Ø3.5x20

+

ISO7050C

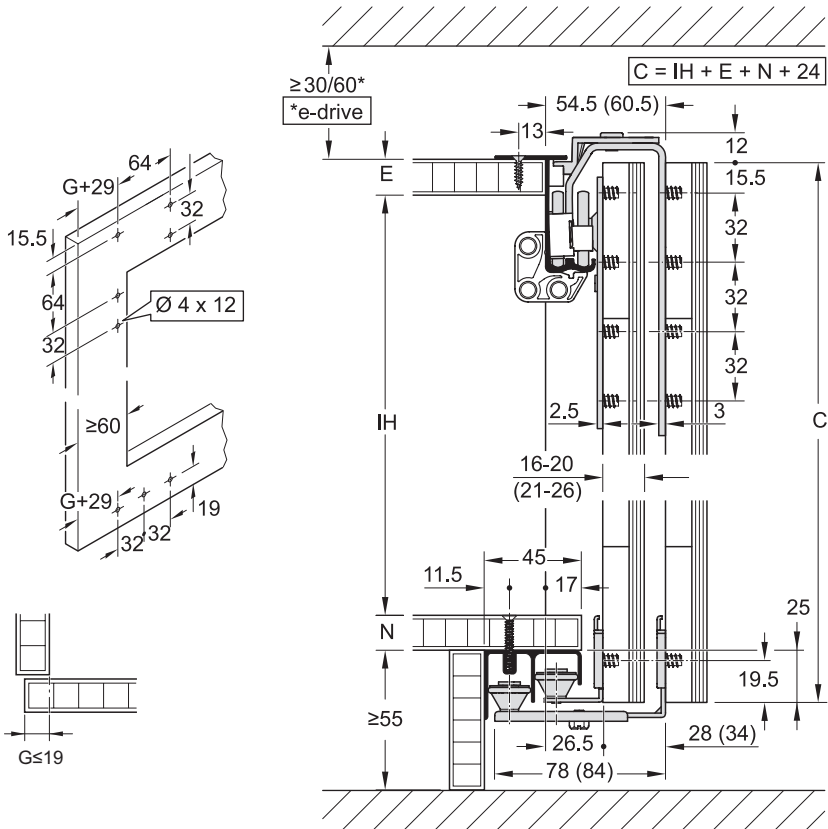
Ø4.8x13

O 402.54.60x

P 402.52.95x

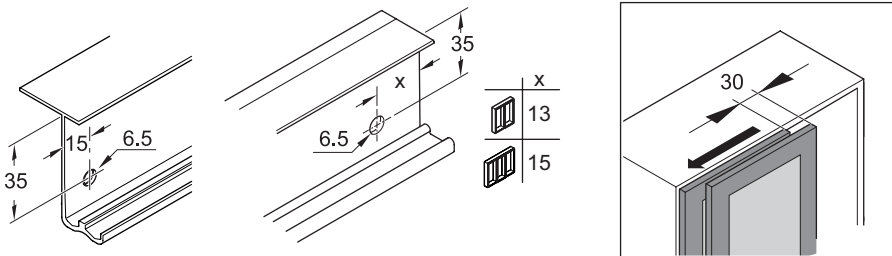
HDE17.11.2020

i



732.24-153

i



HDE 17.11.2020

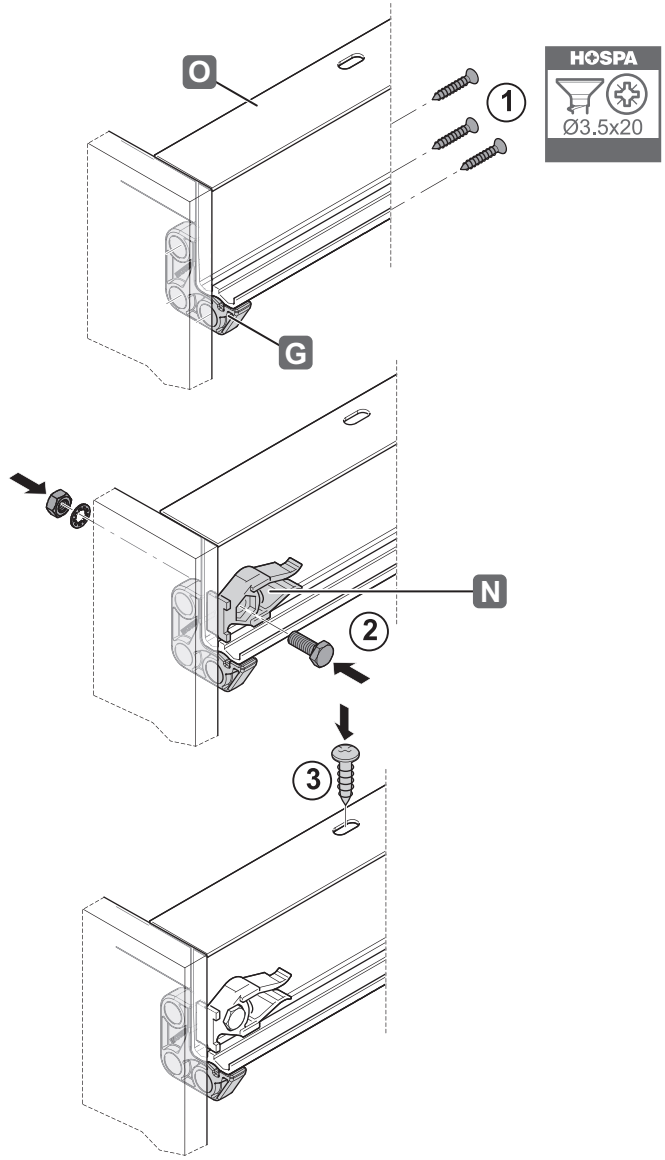
1



PZ2



SW10



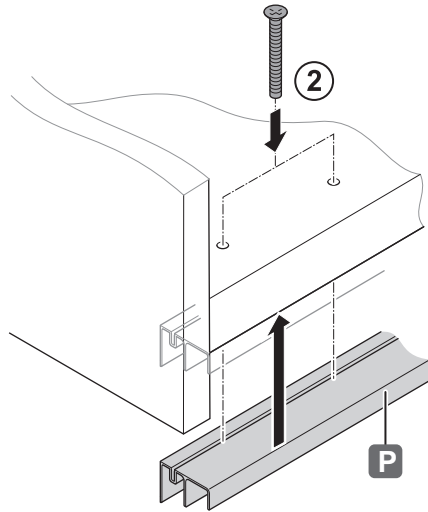
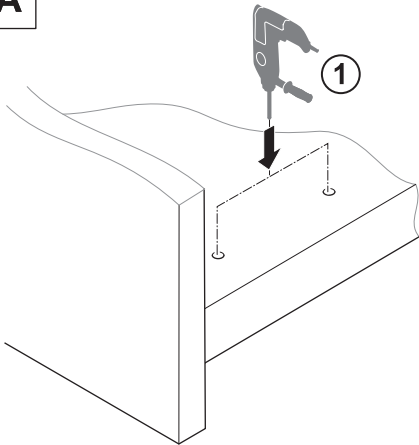
732.24.153

HDE 17.11.2020

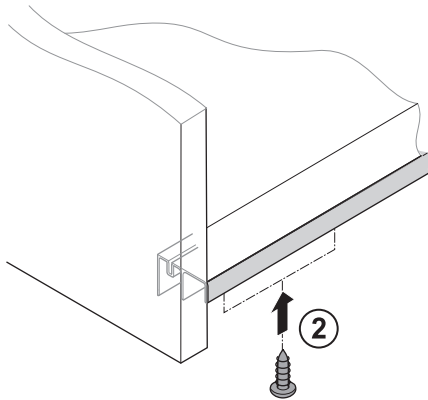
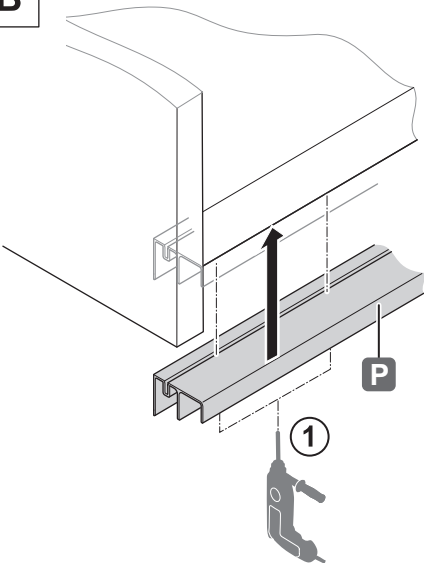
2



A



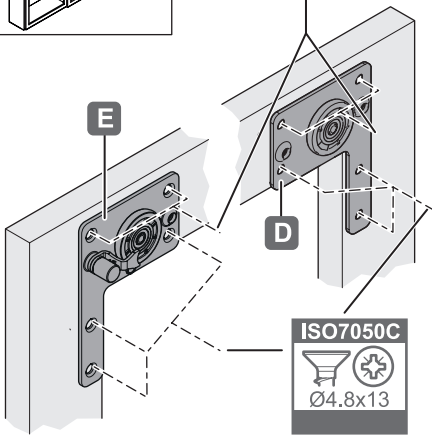
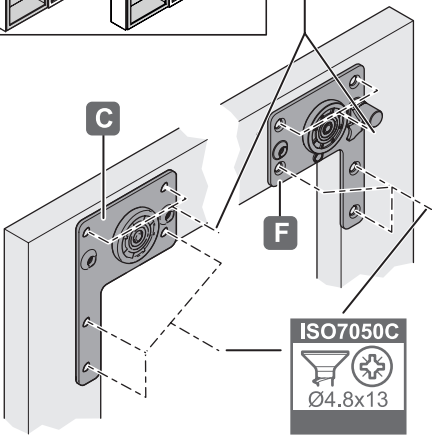
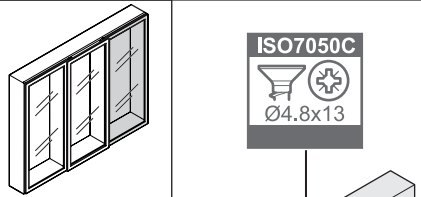
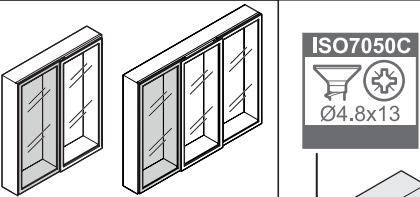
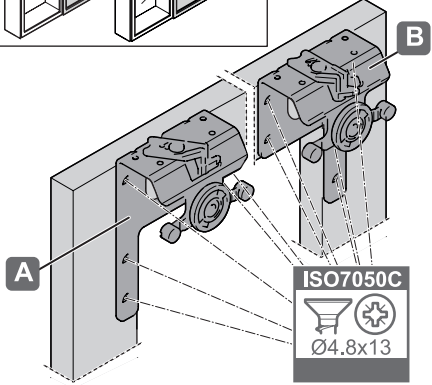
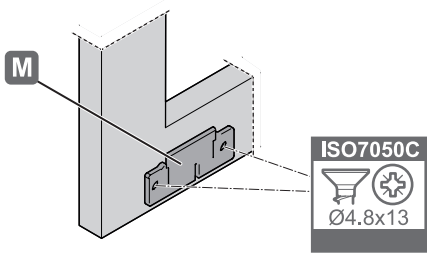
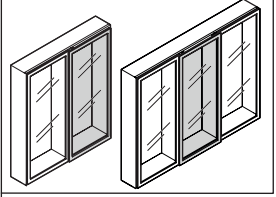
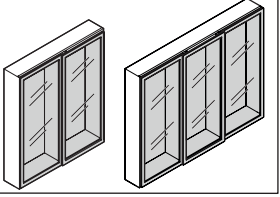
B



732.24-153

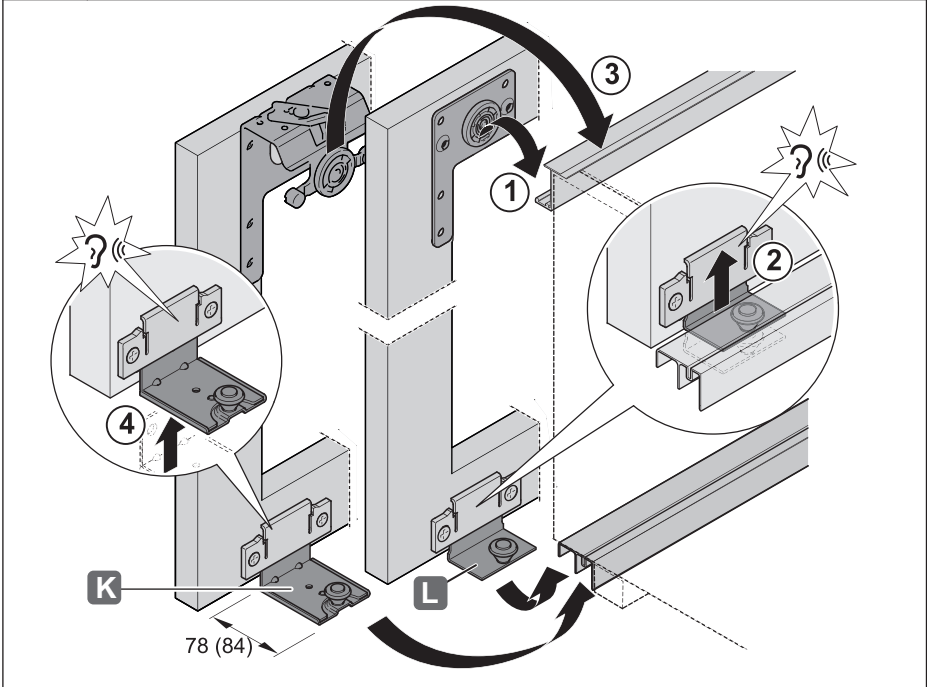
HDE 17.11.2020

3



732.24.153

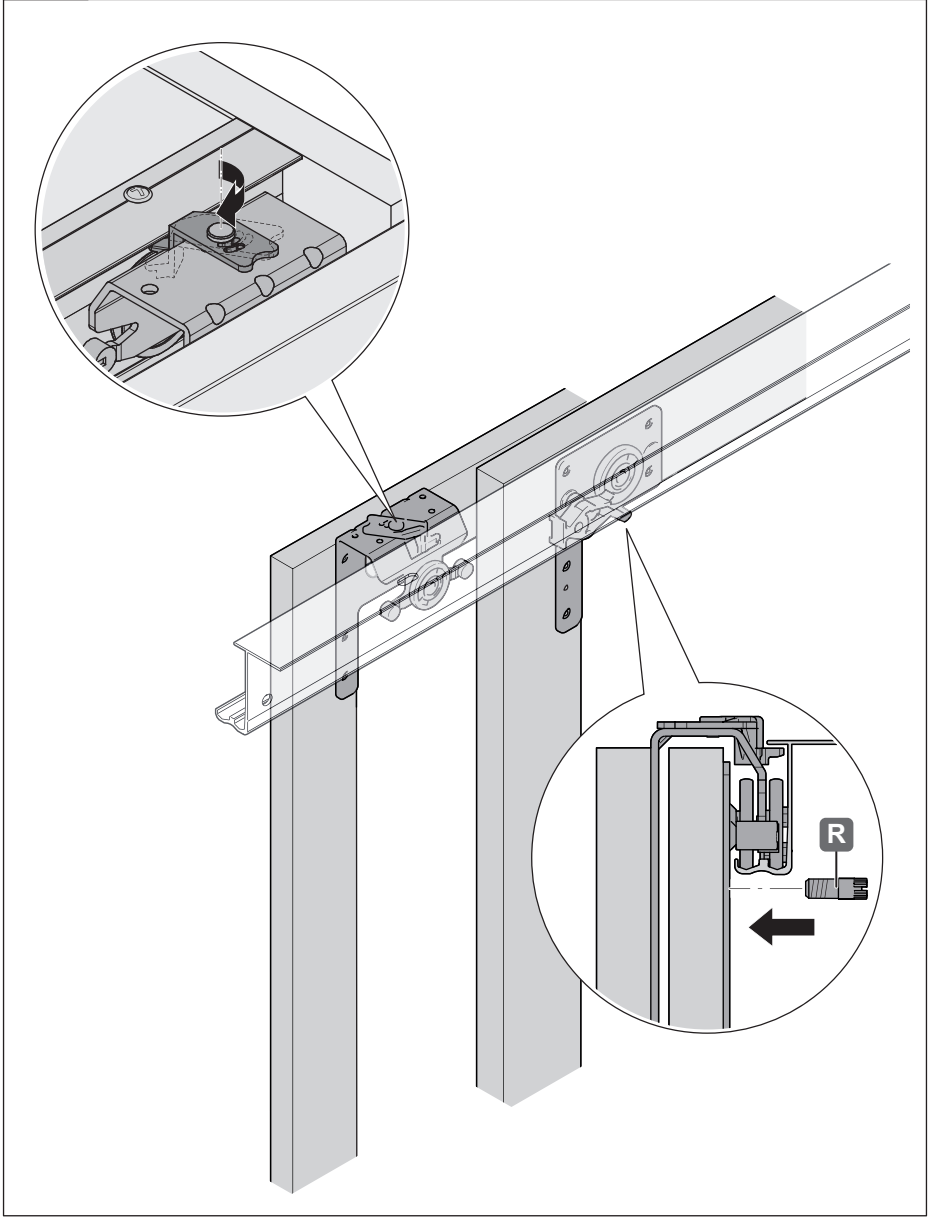
HDE 17.11.2020



732.24-153

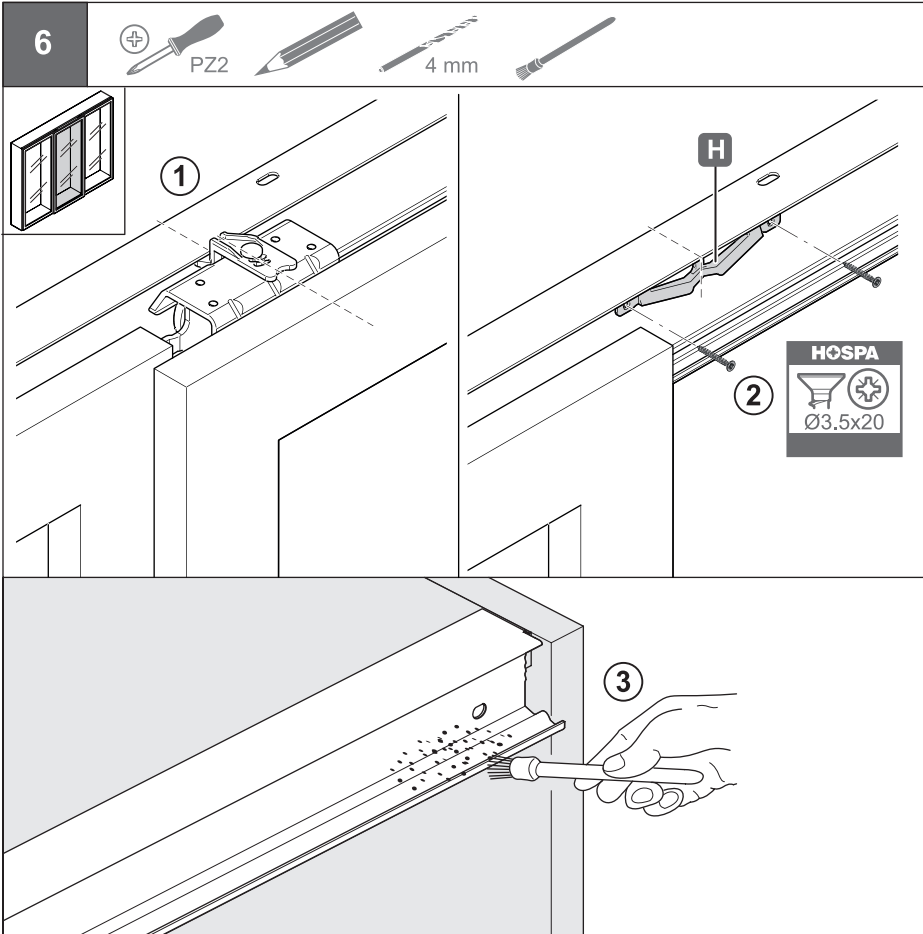
HDE 17.11.2020

5



732.24.153

HDE 17.11.2020



732.24-153

HDE 17.11.2020