



LED 4009

833.78.140 833.78.151
833.78.142 833.78.154

350 mA System	K	W	T _A			
833.78.140	3000 K	3 x 1 W	-20 °C – +35 °C -4 °F – +95 °F	Ø 65 x 15	≥ Ø 75 x 25	833.80.900 833.80.901
833.78.151	6000 K					
833.78.142	3000 K					
833.78.154	6000 K					

732.28.291

A

B

2x **C**

D 833.80.710
833.80.712

E 833.80.711
833.80.713

F 2x

1

100 - 240 V~

2

3A **3B** **3C**

3A 9 mm 2x **C**

1

2

3

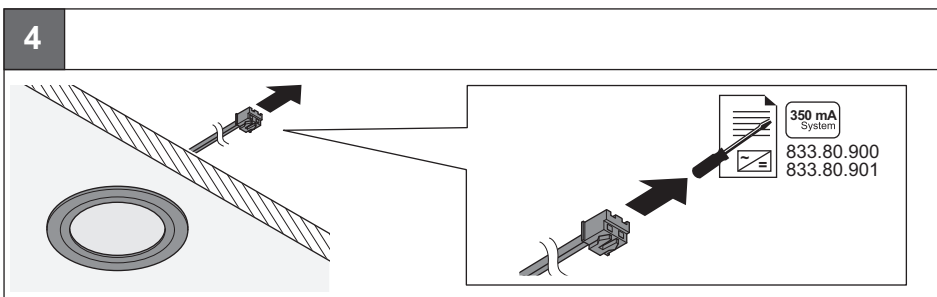
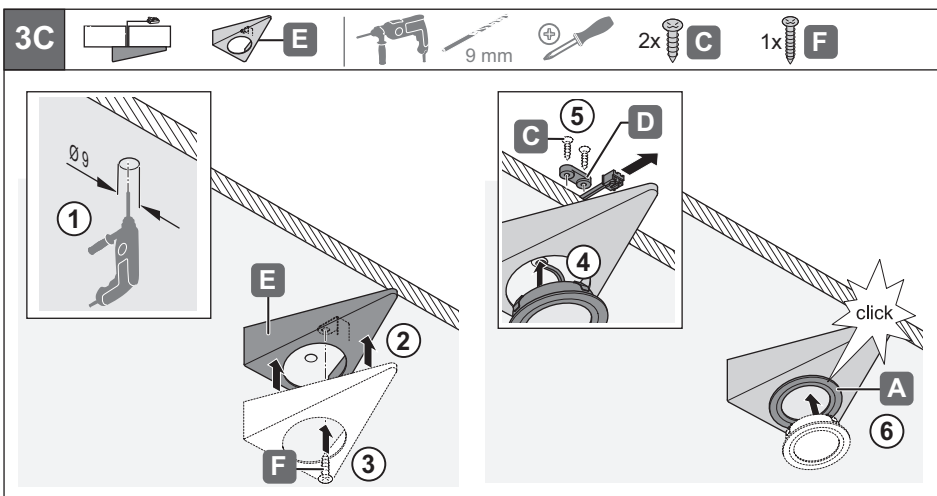
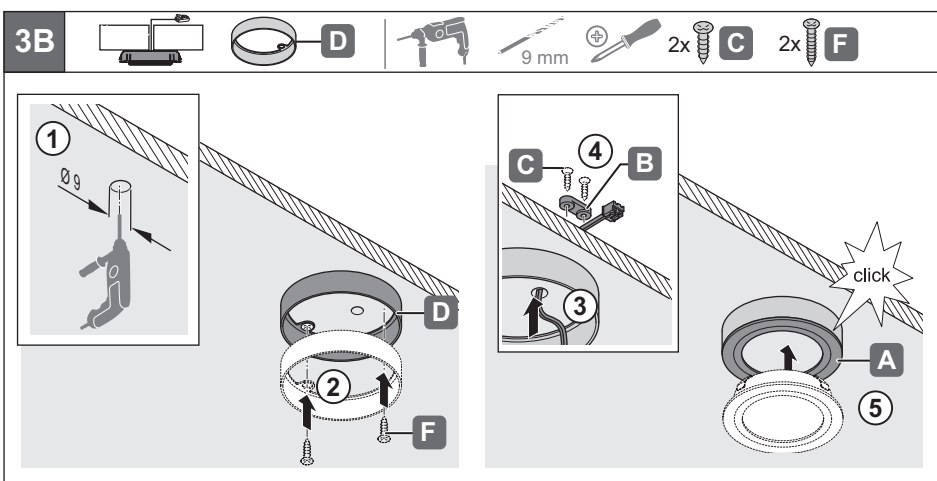
4

5

A **B** **C**

click

HDE 04/2014



732.26.291

HDE 04/2014