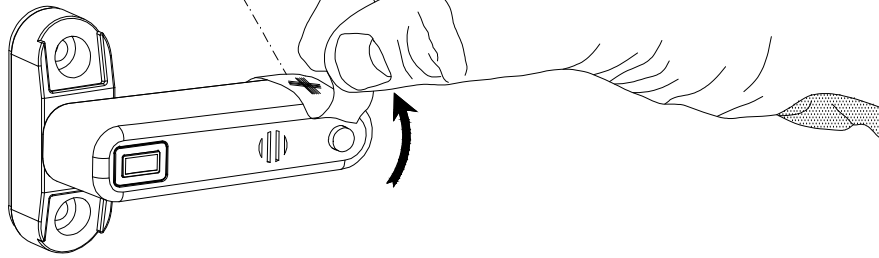


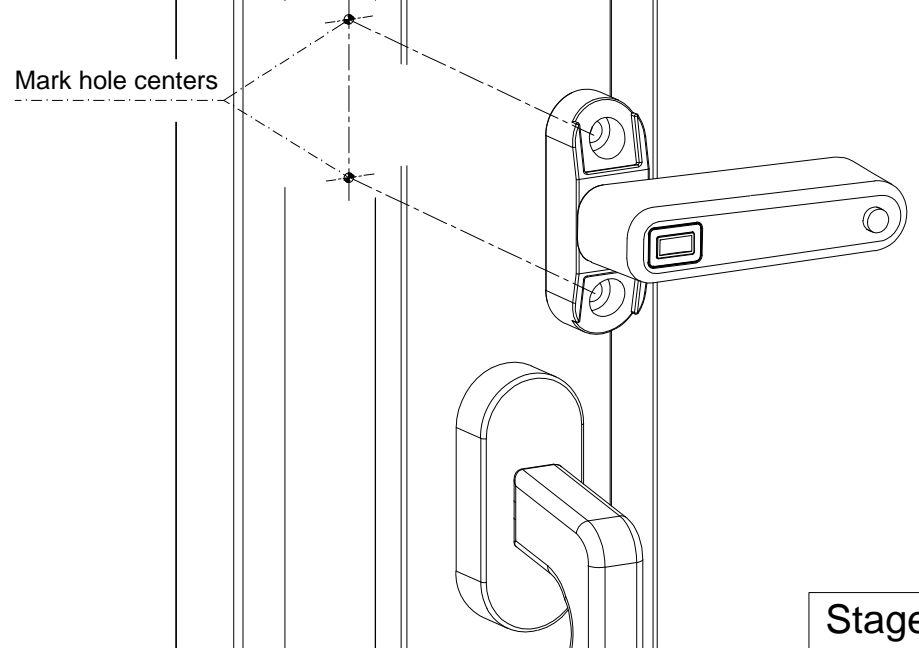
# "Alarm Security Lock" Installation Manual

Remove the protection tape



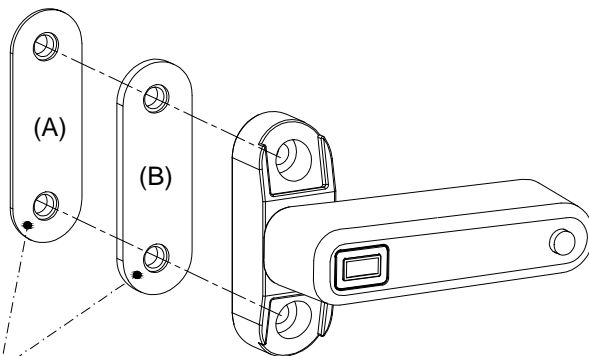
Stage 1

Mark hole centers



Stage 2

Select the appropriate thickness of the plate or plates

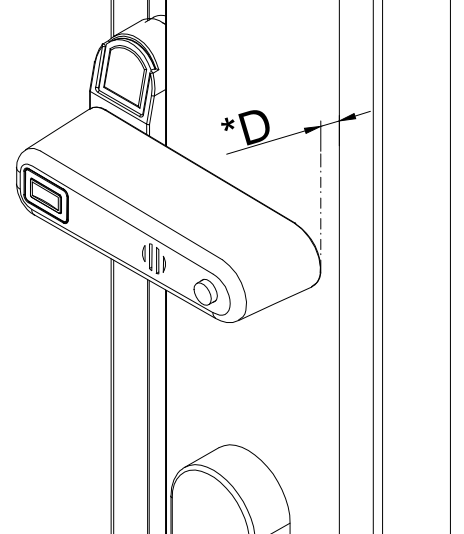


Adjusting plates

Thickness : 1.3mm (A)  
: 3mm (B)

Stage 3

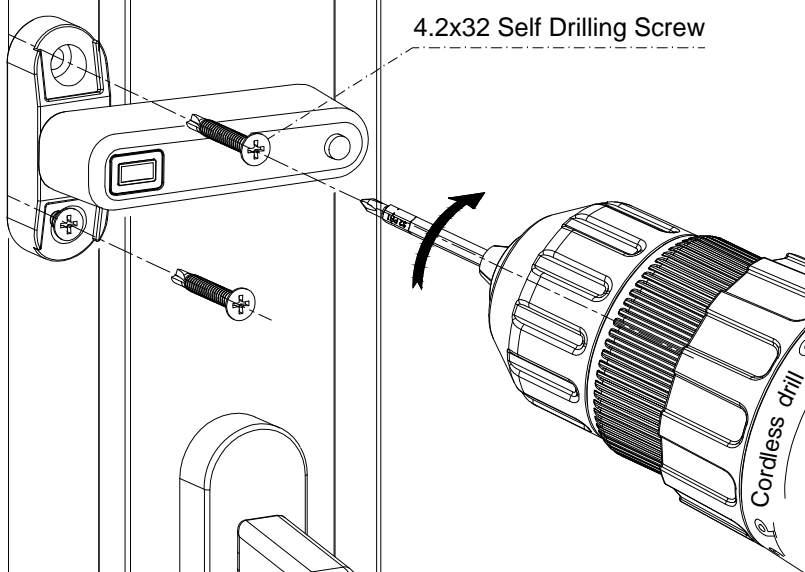
\*D



(\*D) The distance between the handle and the frame should be about 2mm

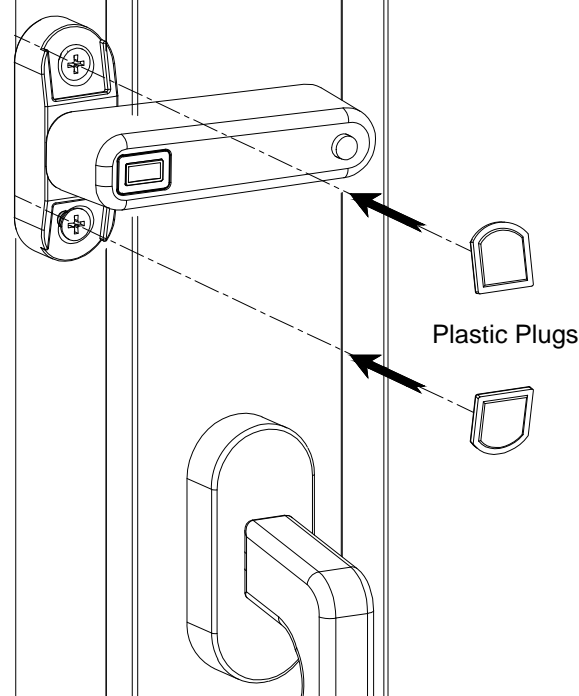
Stage 4

4.2x32 Self Drilling Screw



Stage 5

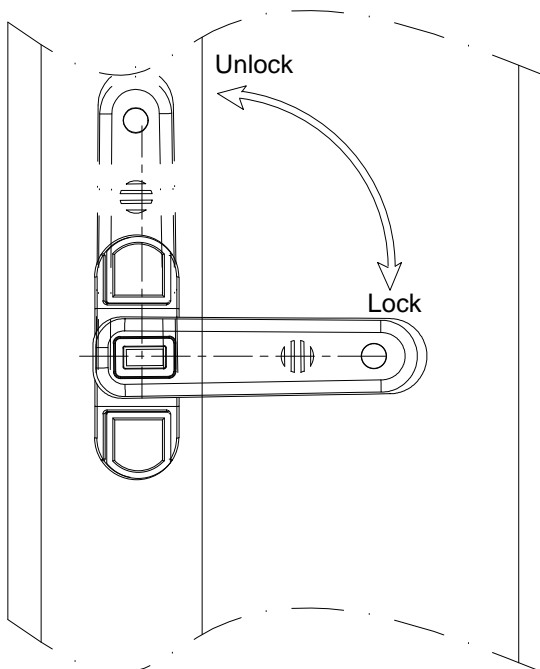
Plastic Plugs



Stage 6

Unlock

Lock



Stage 7

SecureLock Active

