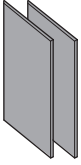




Slido F-Park72 60B

408.45.008 408.45.012
 408.45.010 408.45.013
 408.45.011



2x **B**

2x **C**

5x **D**

F

+

Hp	E
1200 - 1400	4x
1990 - 2200	10x
2200 - 2700	10x

732.24.441

i

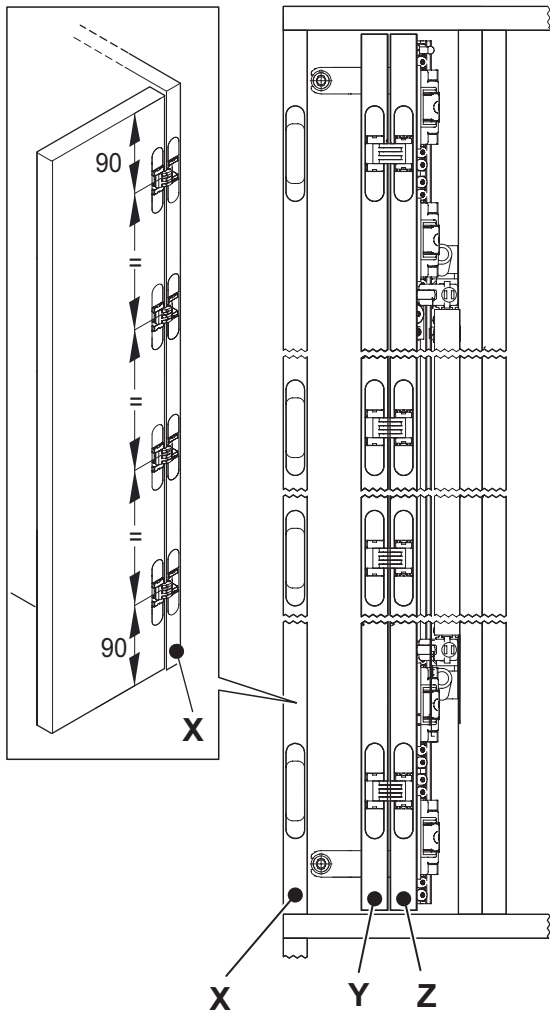
mm

Pb: 805 Hp: 1200 - 1400	Lp: ≤ 600 Lb: ≤ 1205	18 - 30	≤ 60 (30+30)	
Pb: 805 Hp: 1990 - 2200				
Pb: 805 Hp: 2200 - 2700				
Pb: 905 Hp: 1990 - 2200	Lp: ≤ 700 Lb: ≤ 1405			
Pb: 905 Hp: 2200 - 2700				

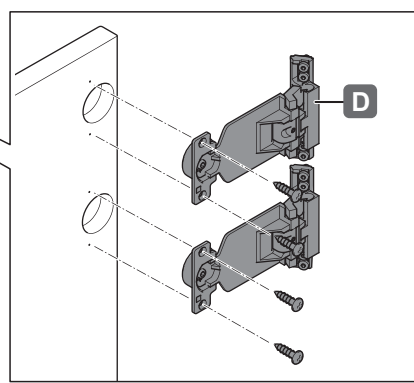
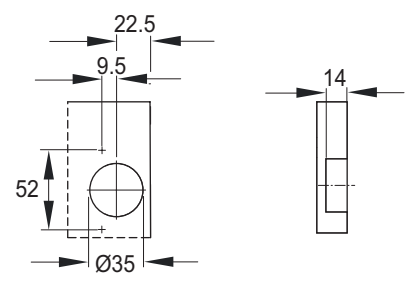
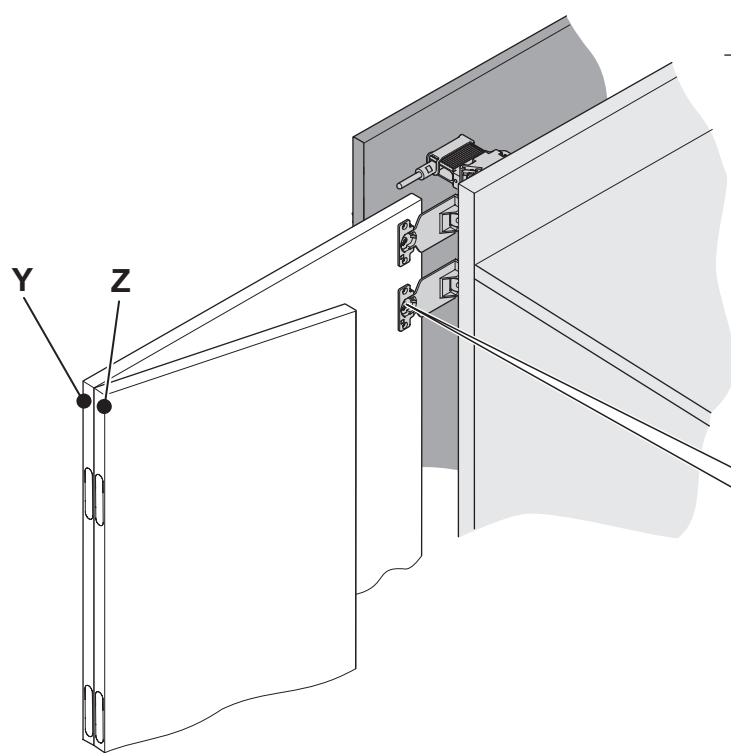
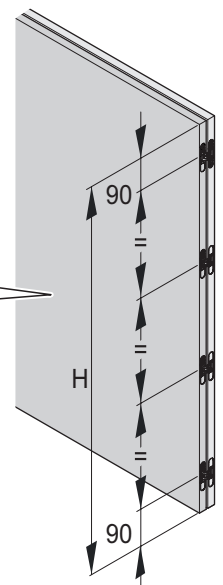
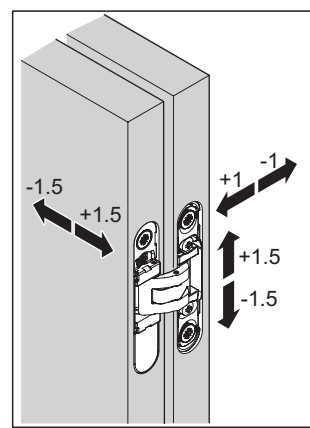
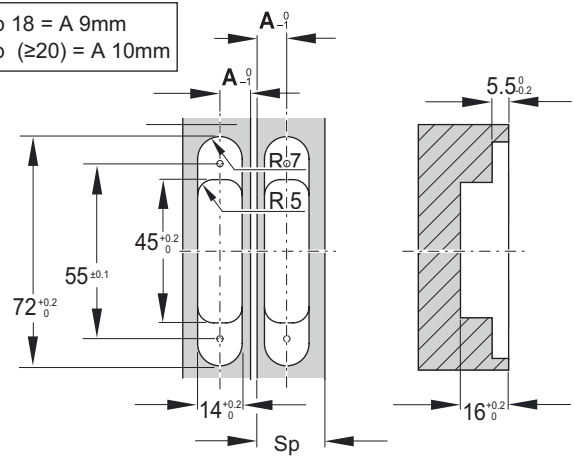
HDE 08.02.2024

i

mm



Sp 18 = A 9mm
Sp (≥20) = A 10mm



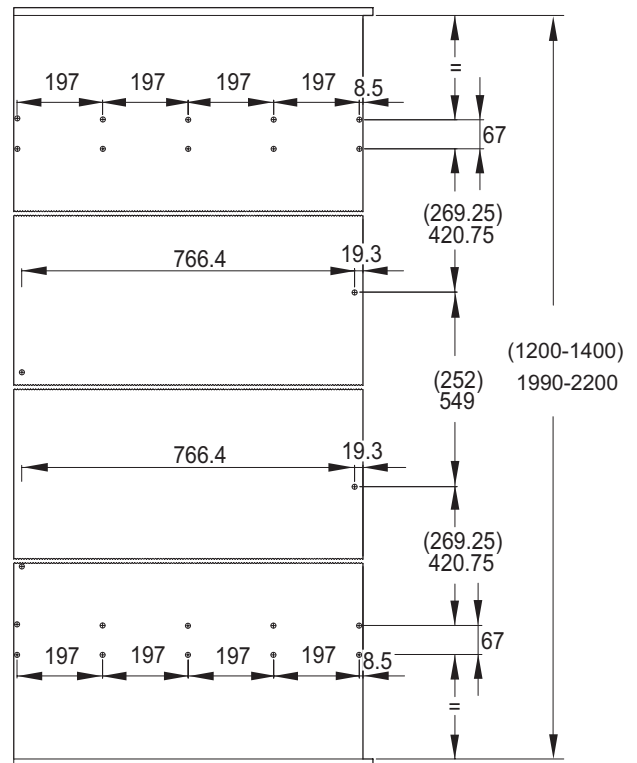
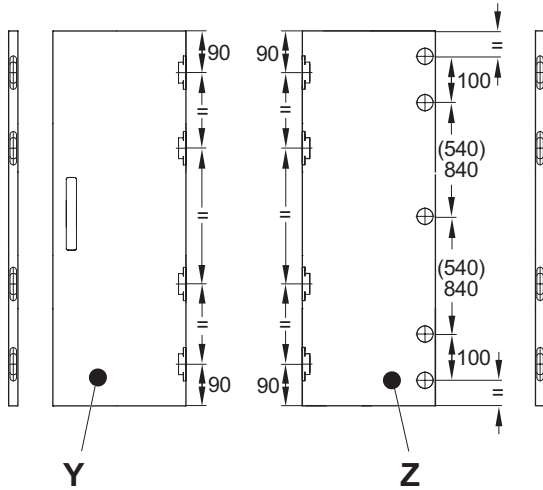
732.24.441

HDE 08.02.2024

i

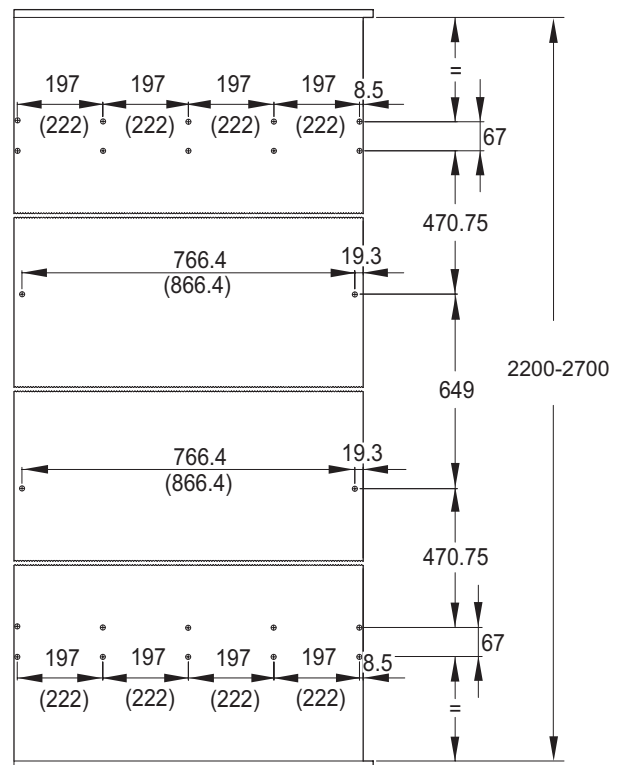
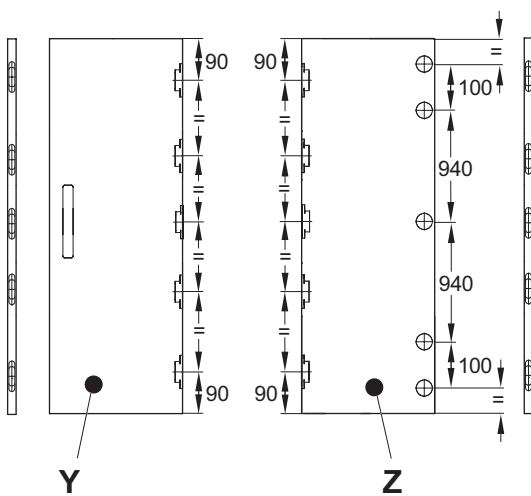
mm

Hp: (1200-1400) / 1990 - 2200



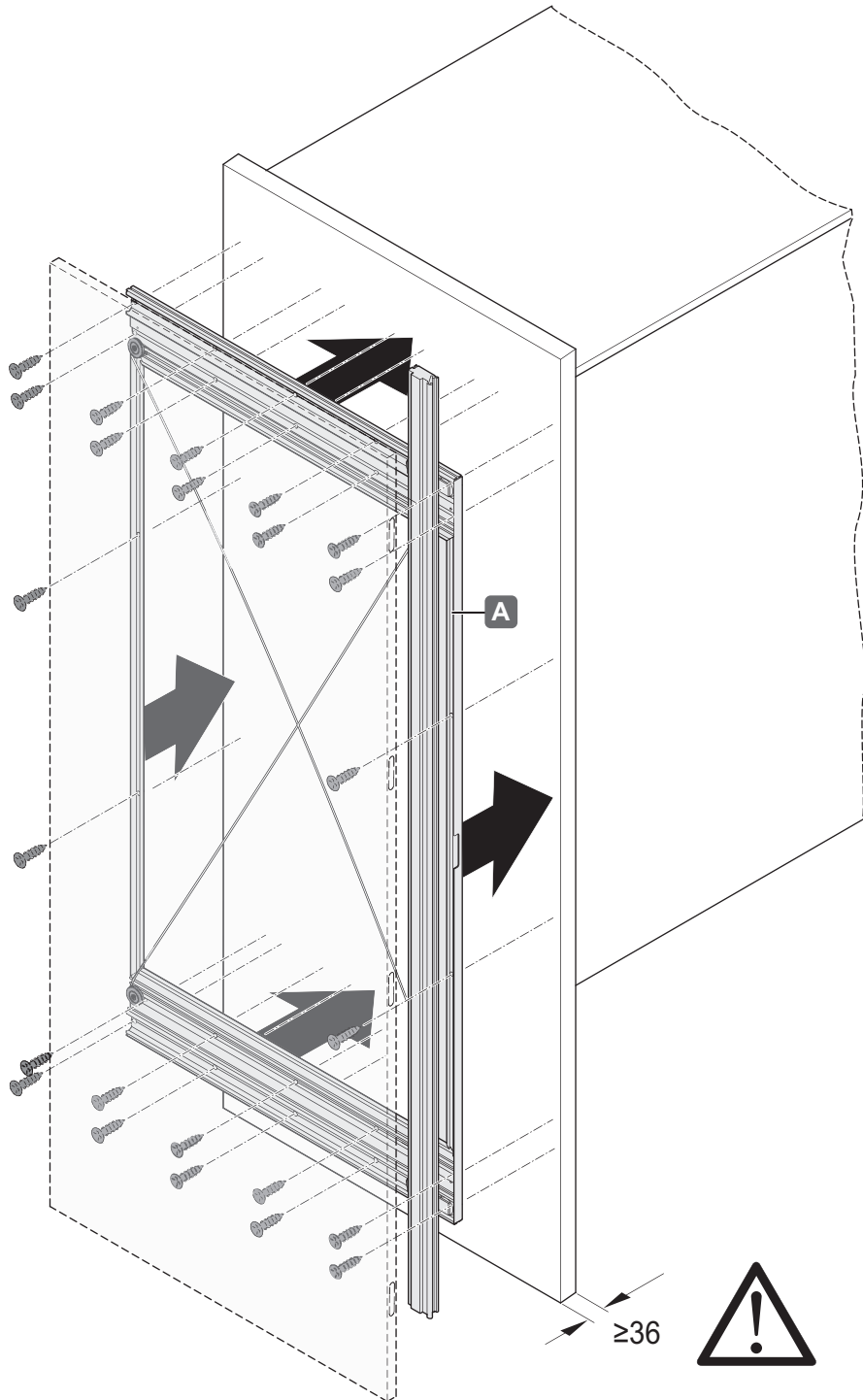
732.24.441

Hp: 2200 - 2700



HDE 08.02.2024

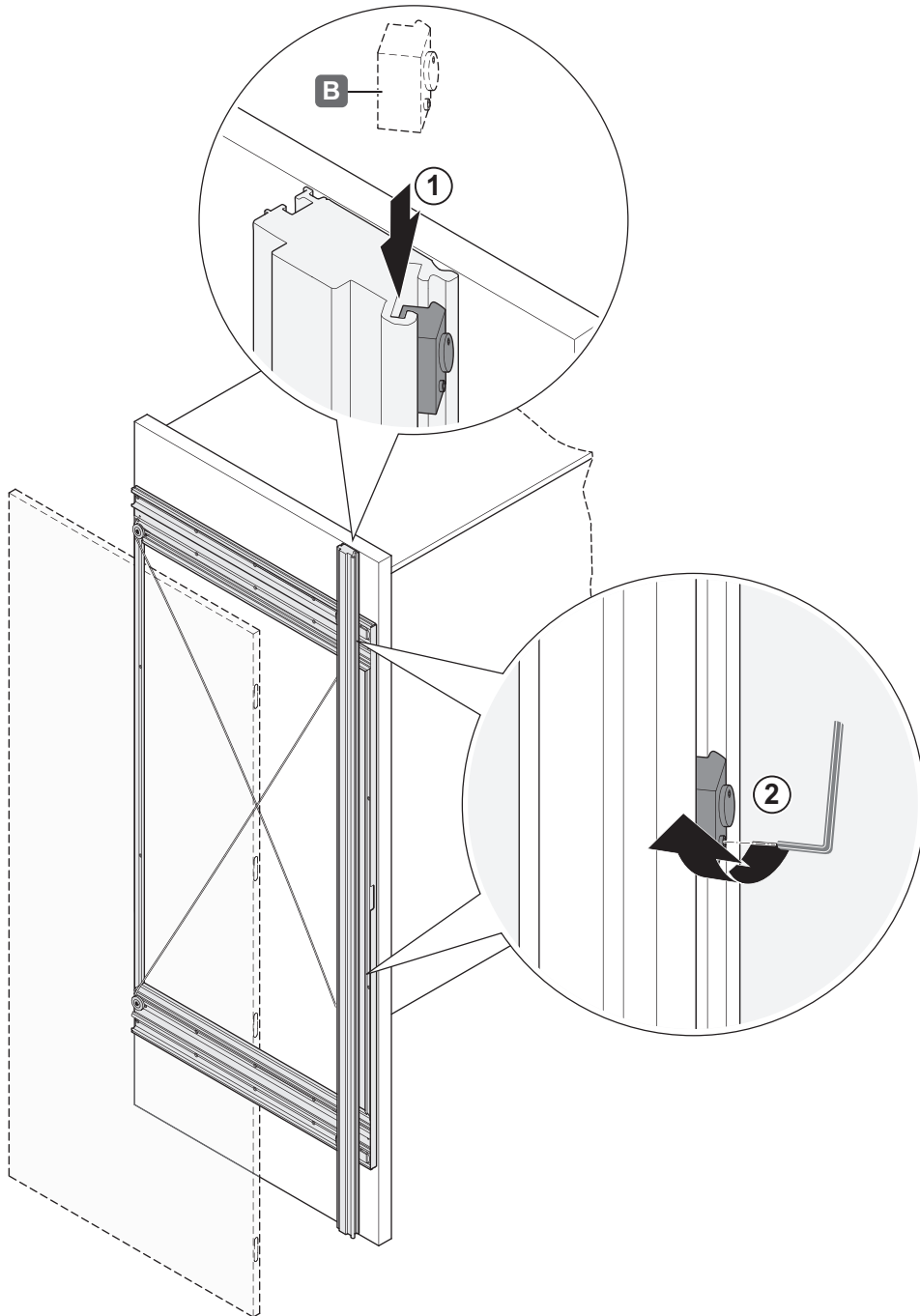
1



732.24.441

HDE 08.02.2024

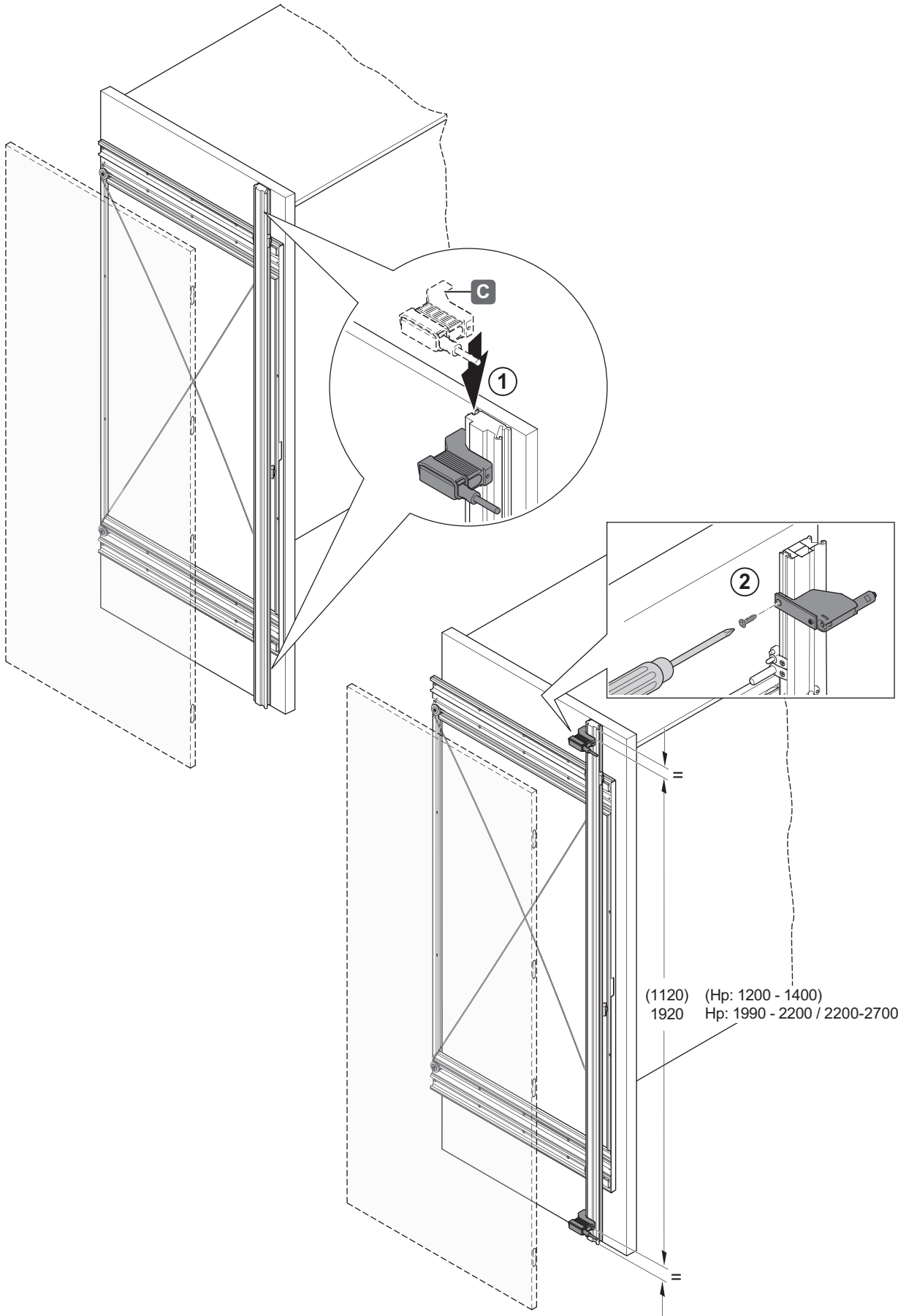
2



732.24.441

HDE 08.02.2024

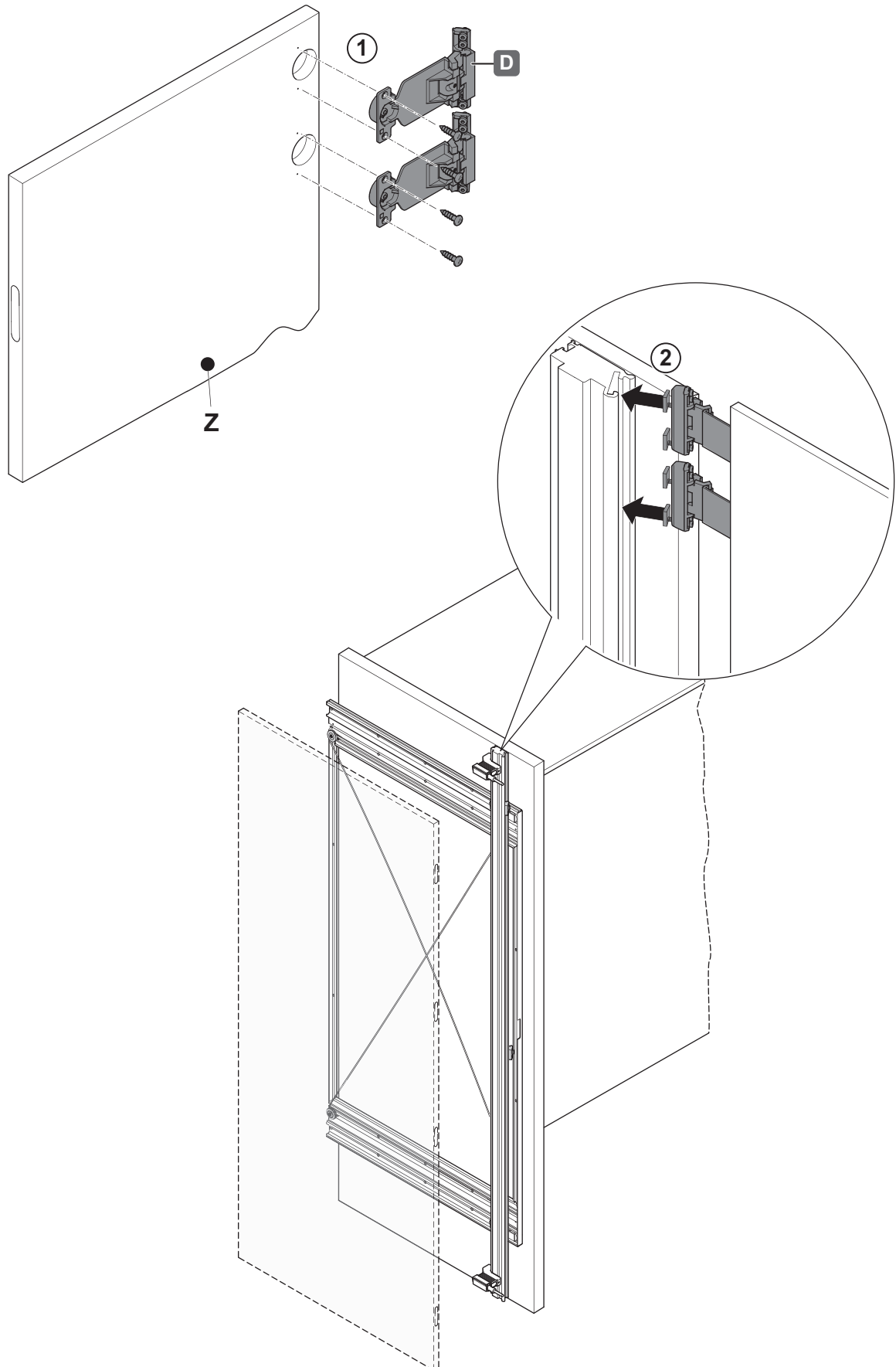
3



732.24.441

HDE 08.02.2024

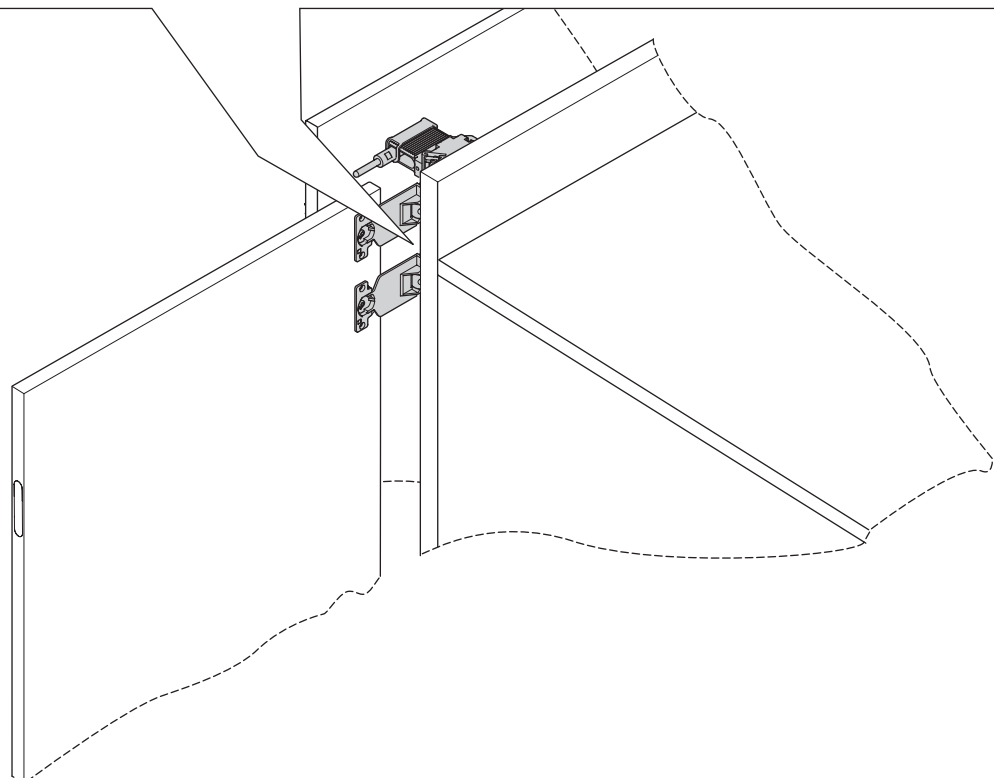
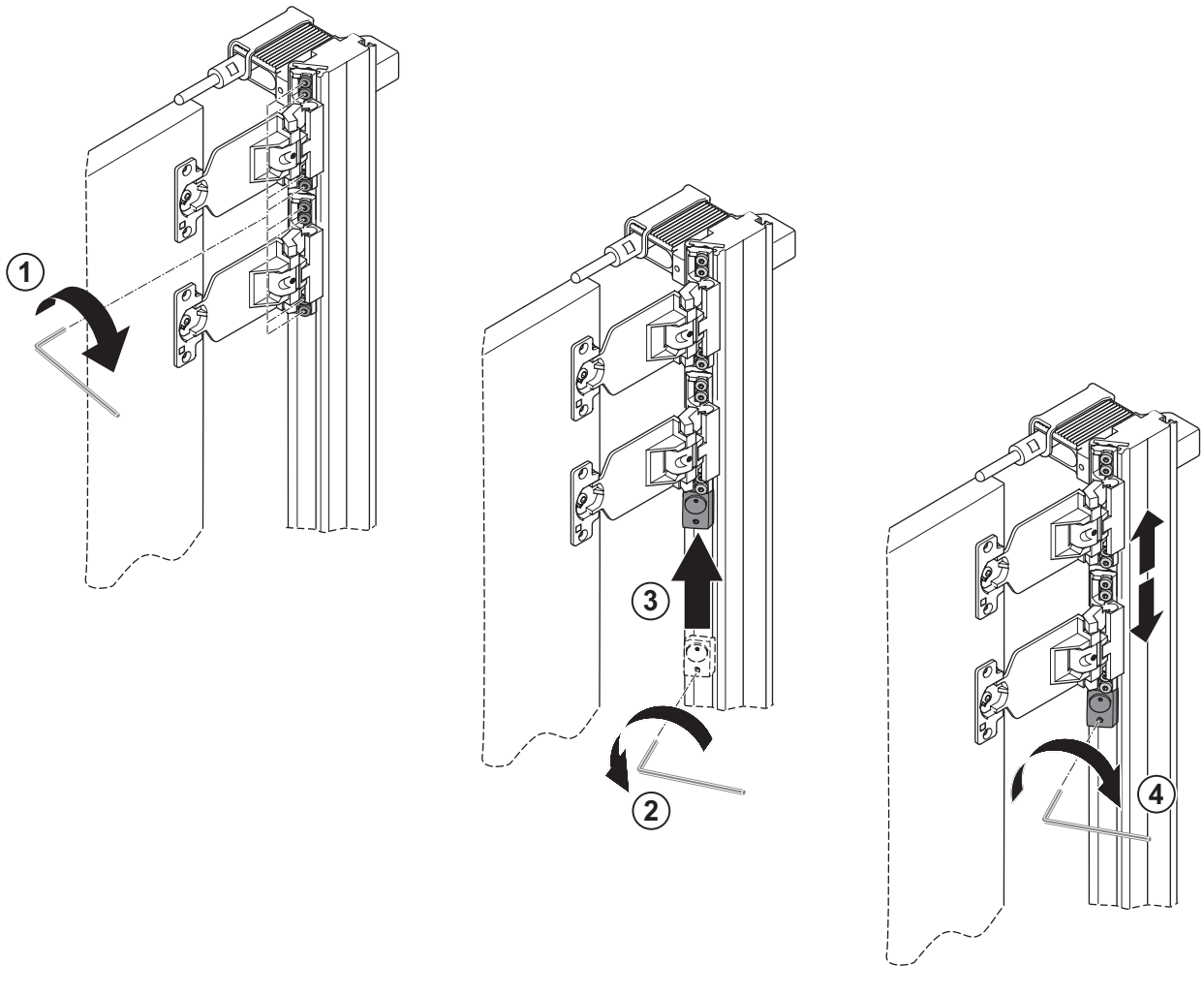
4



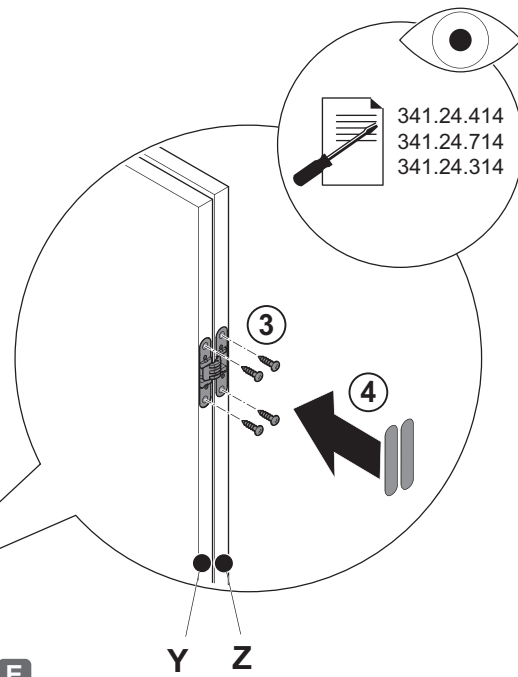
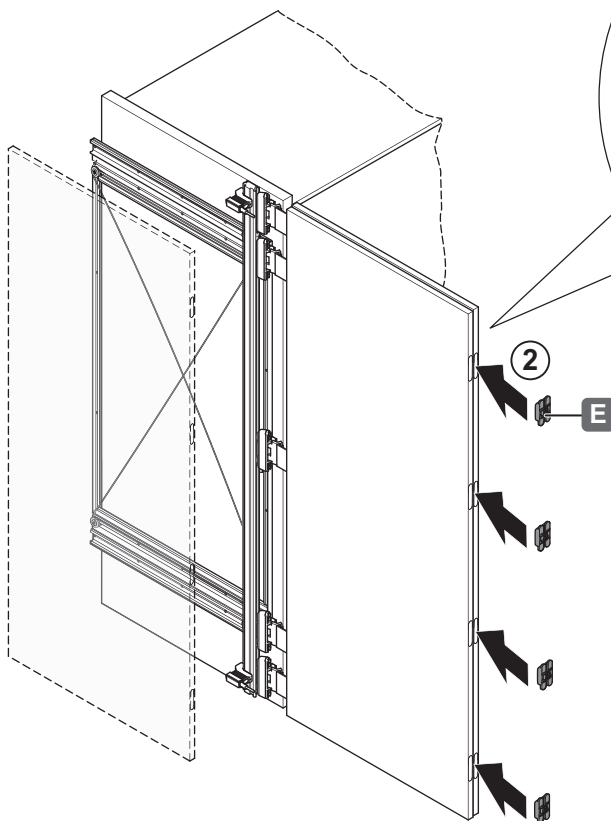
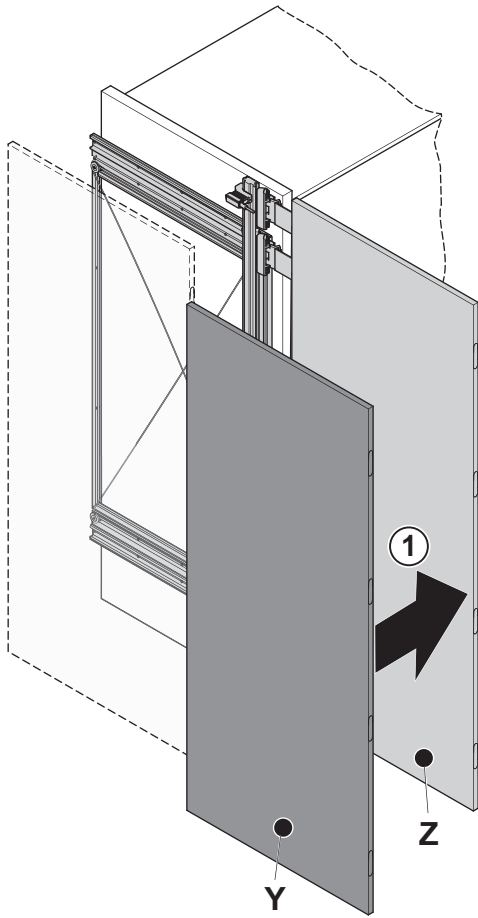
732.24.441

HDE 08.02.2024

5



6

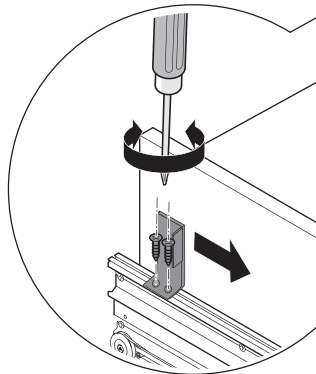
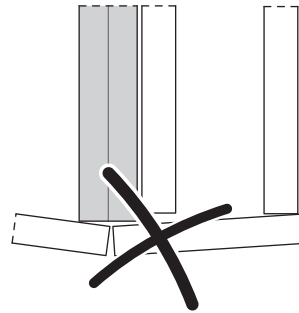
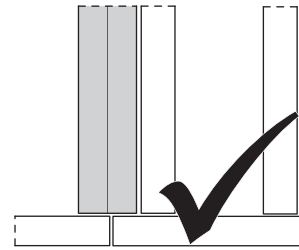
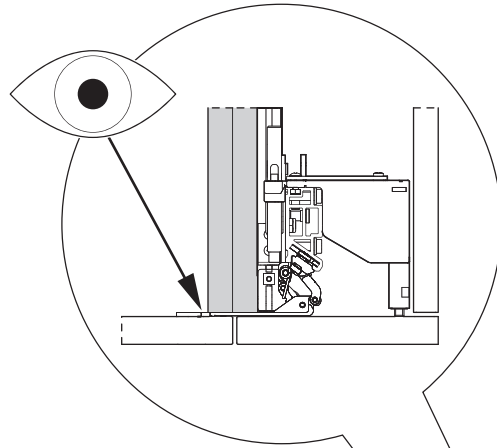


341.24.414
341.24.714
341.24.314

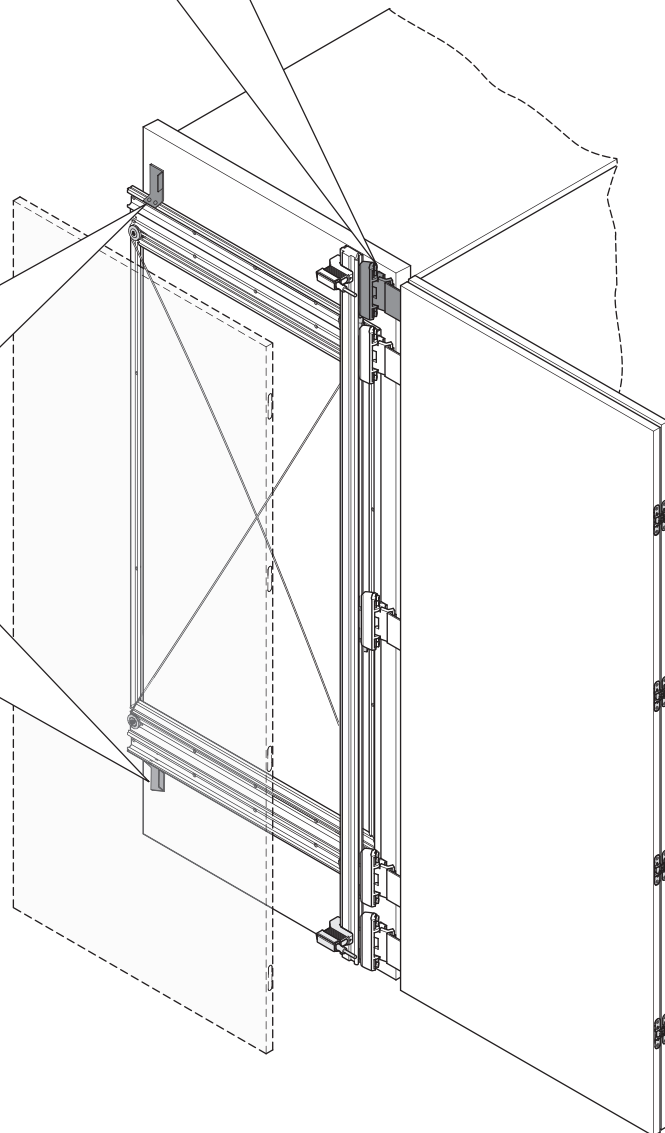
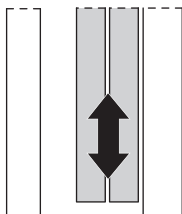
732.24.441

HDE 08.02.2024

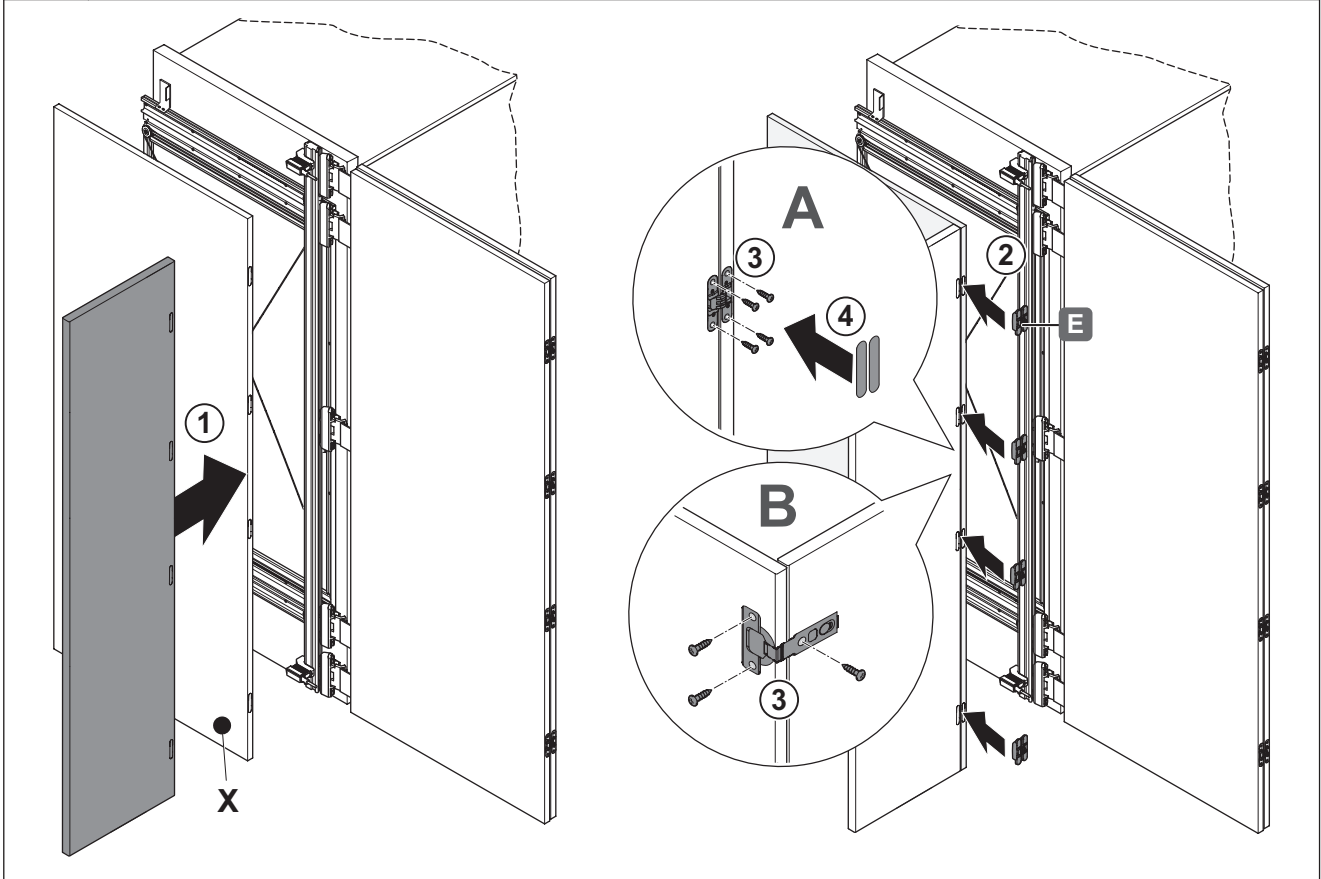
7



Pb 805 Lp < 600
 Pb 905 Lp < 700

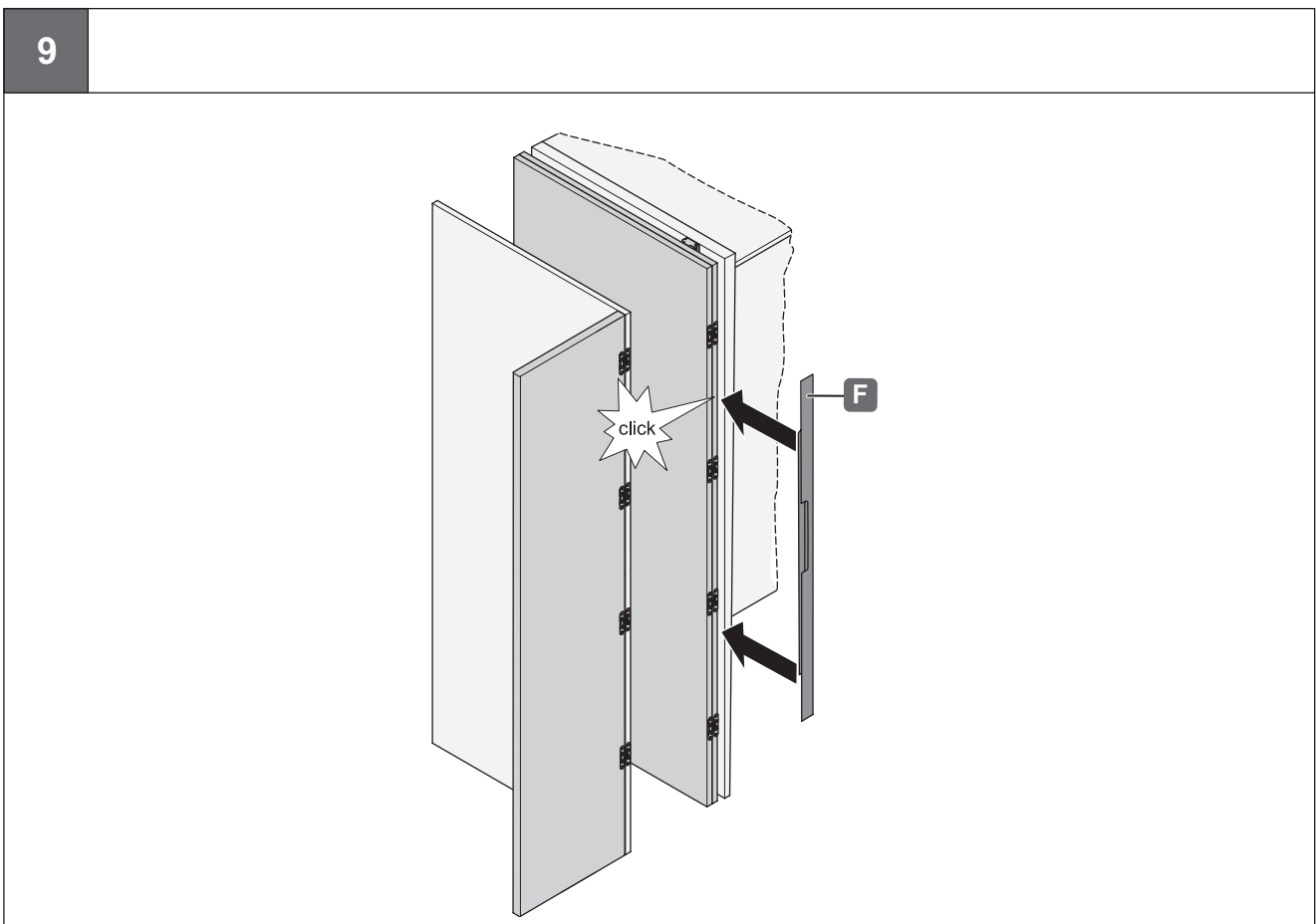


8

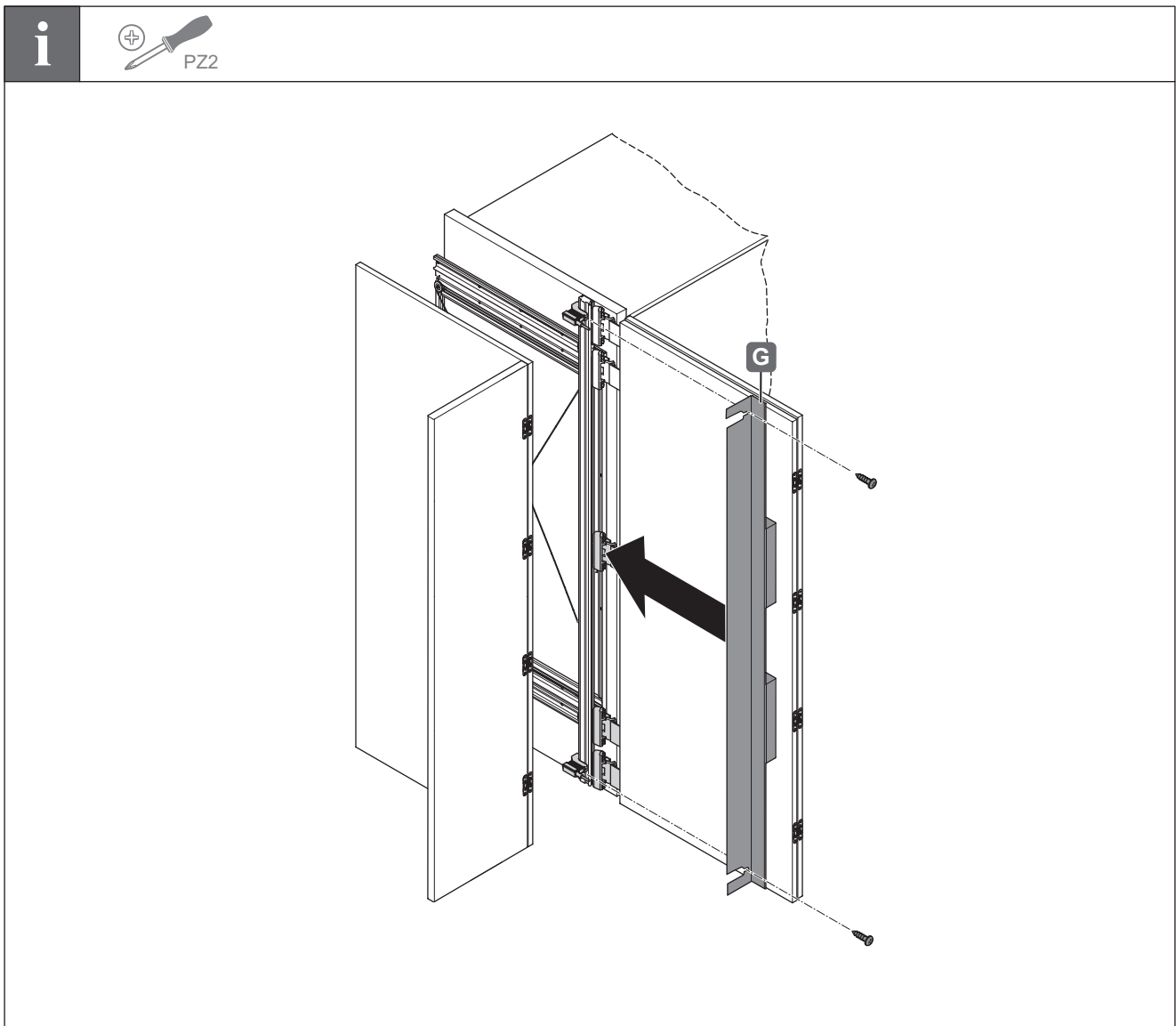
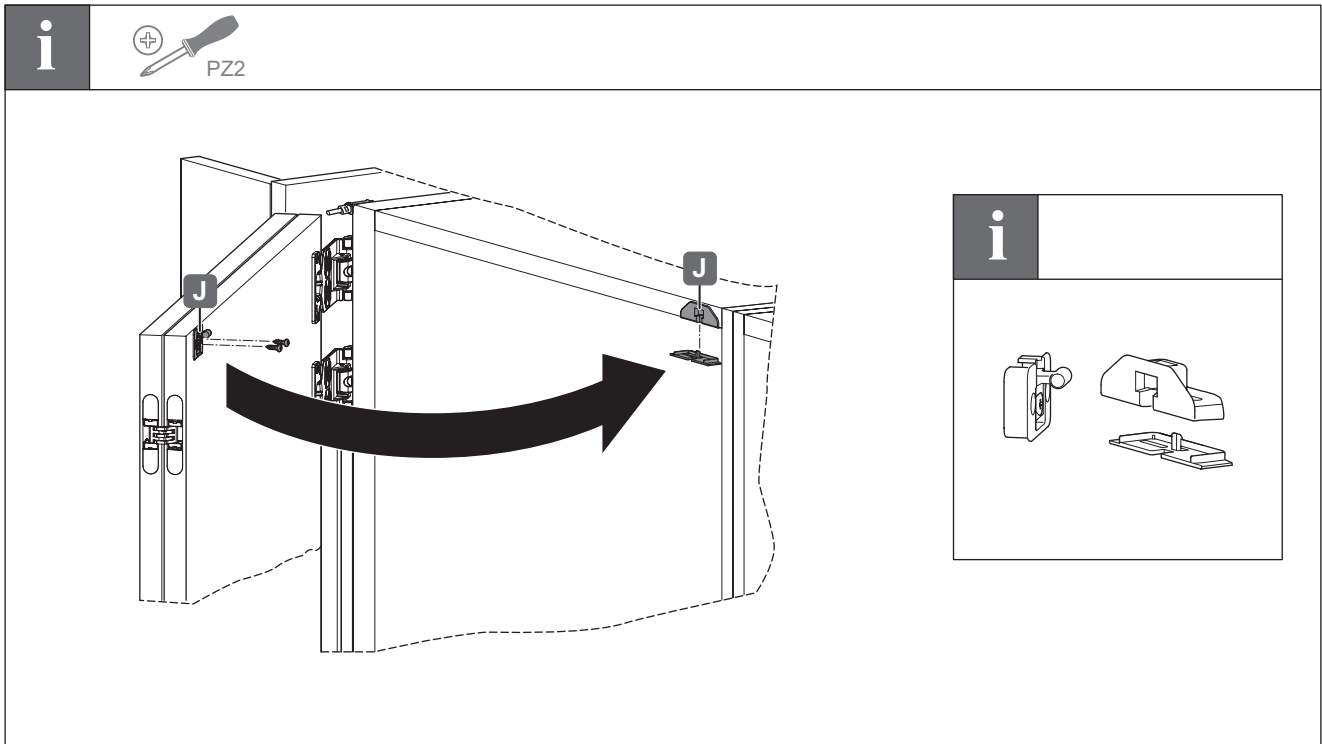


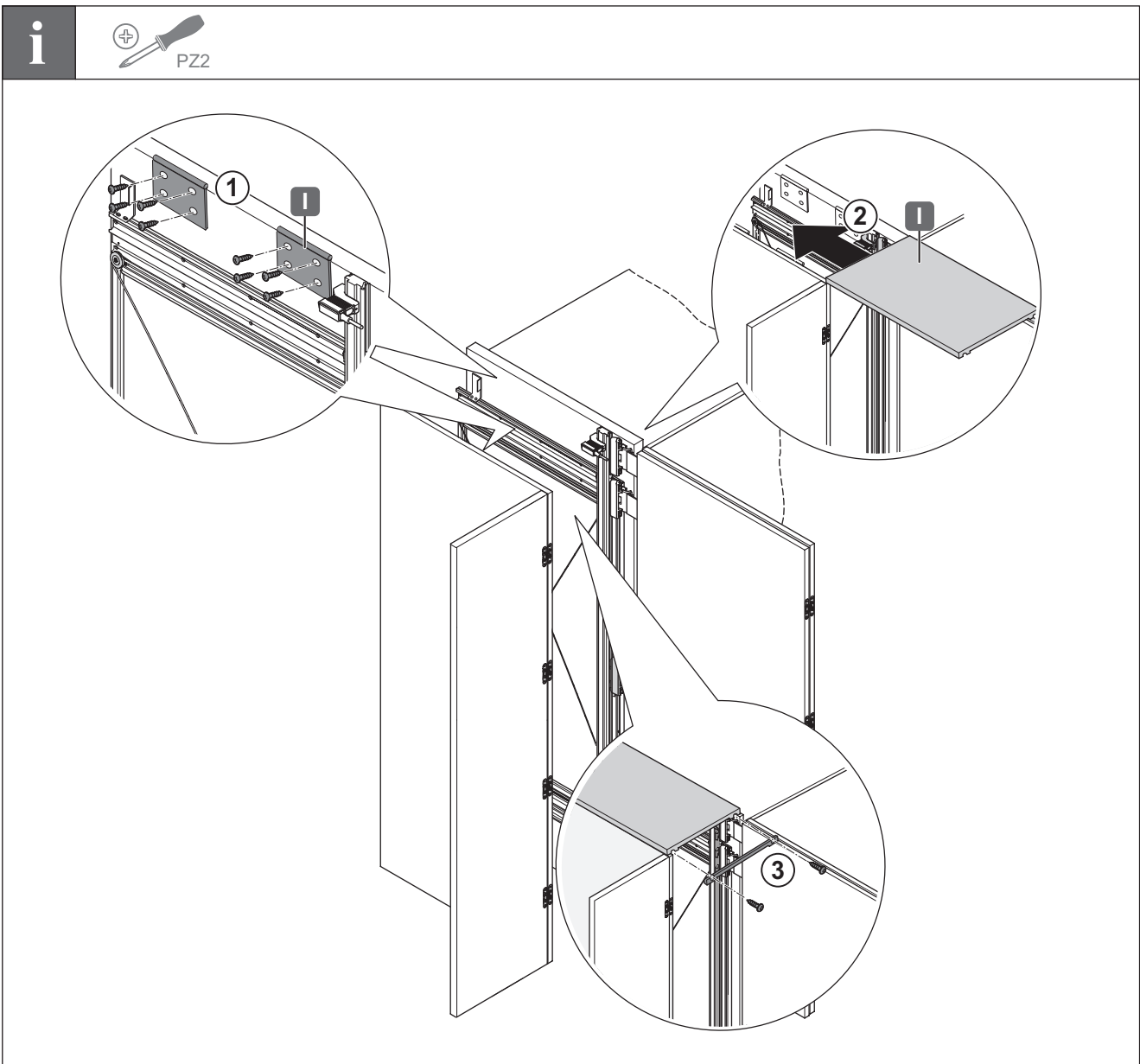
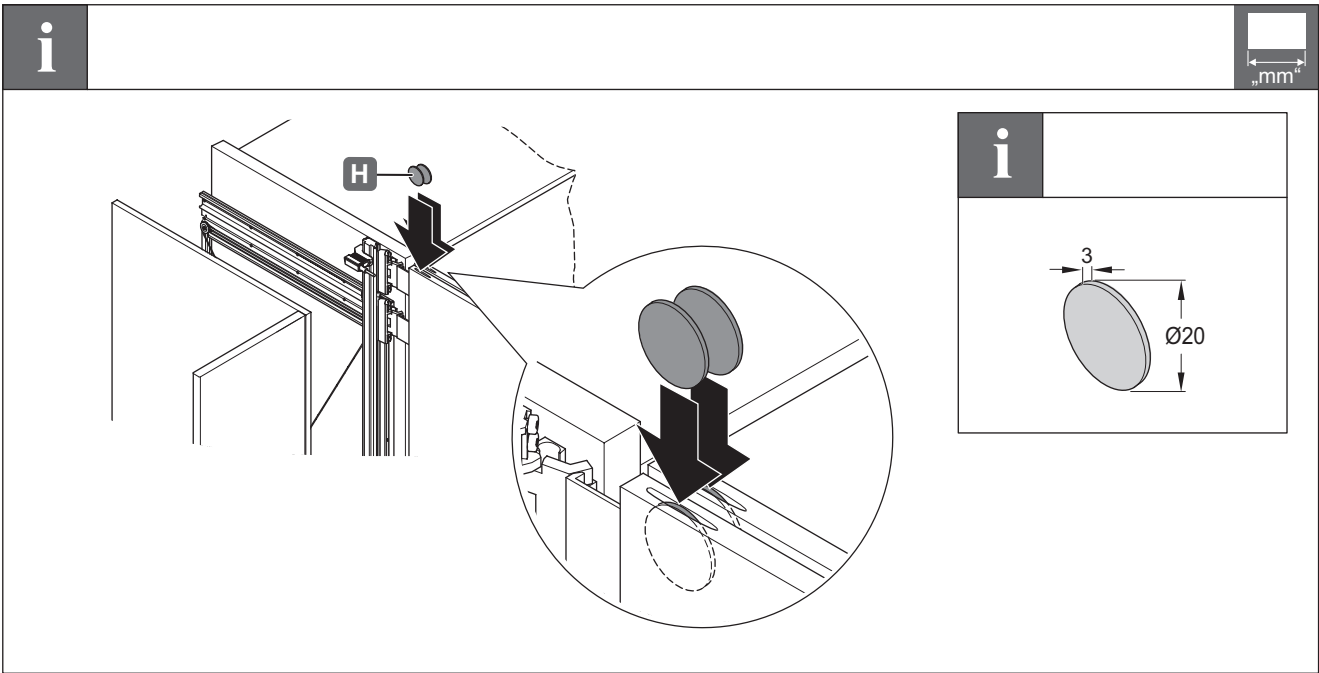
732.24.441

9



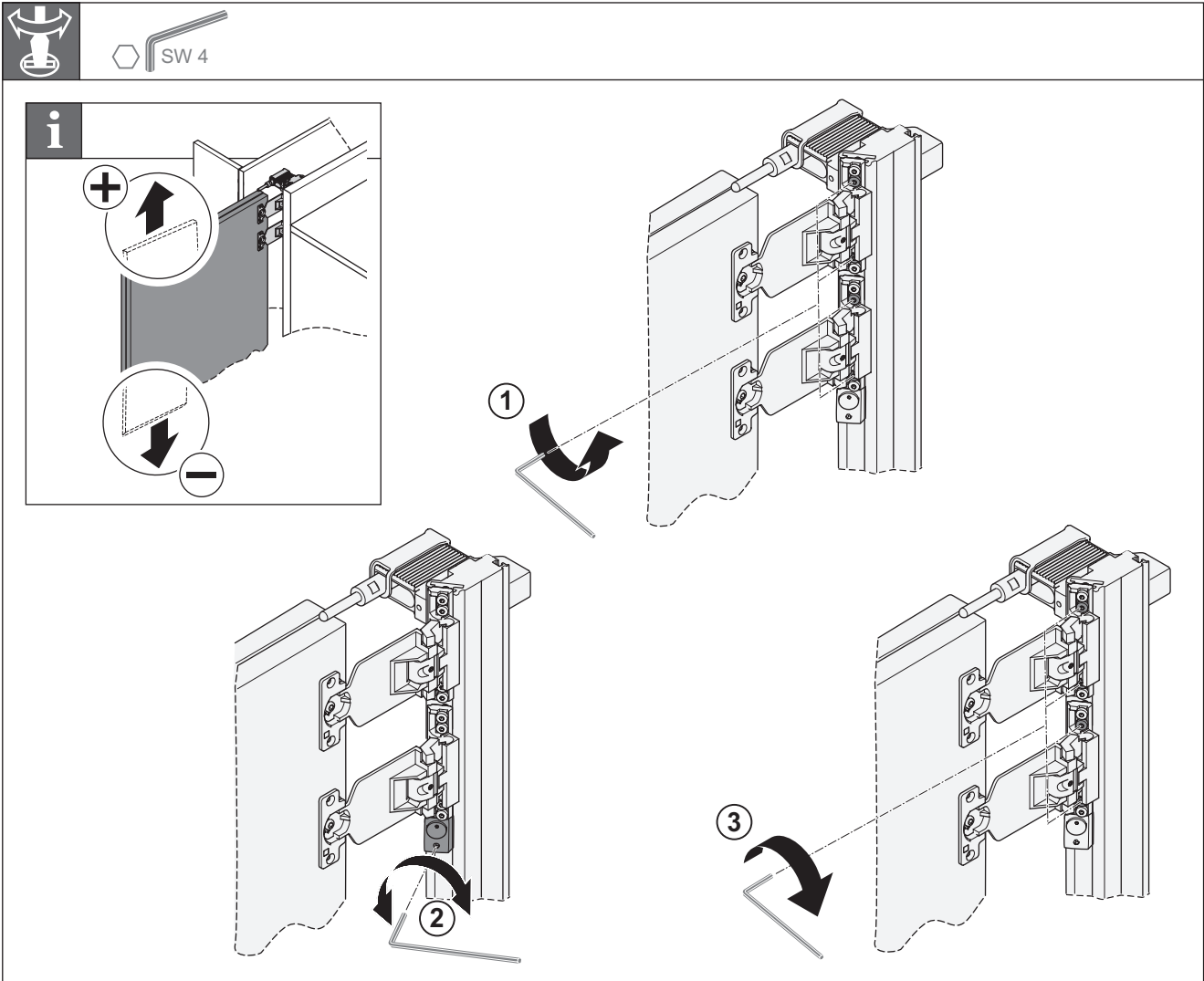
HDE 08.02.2024



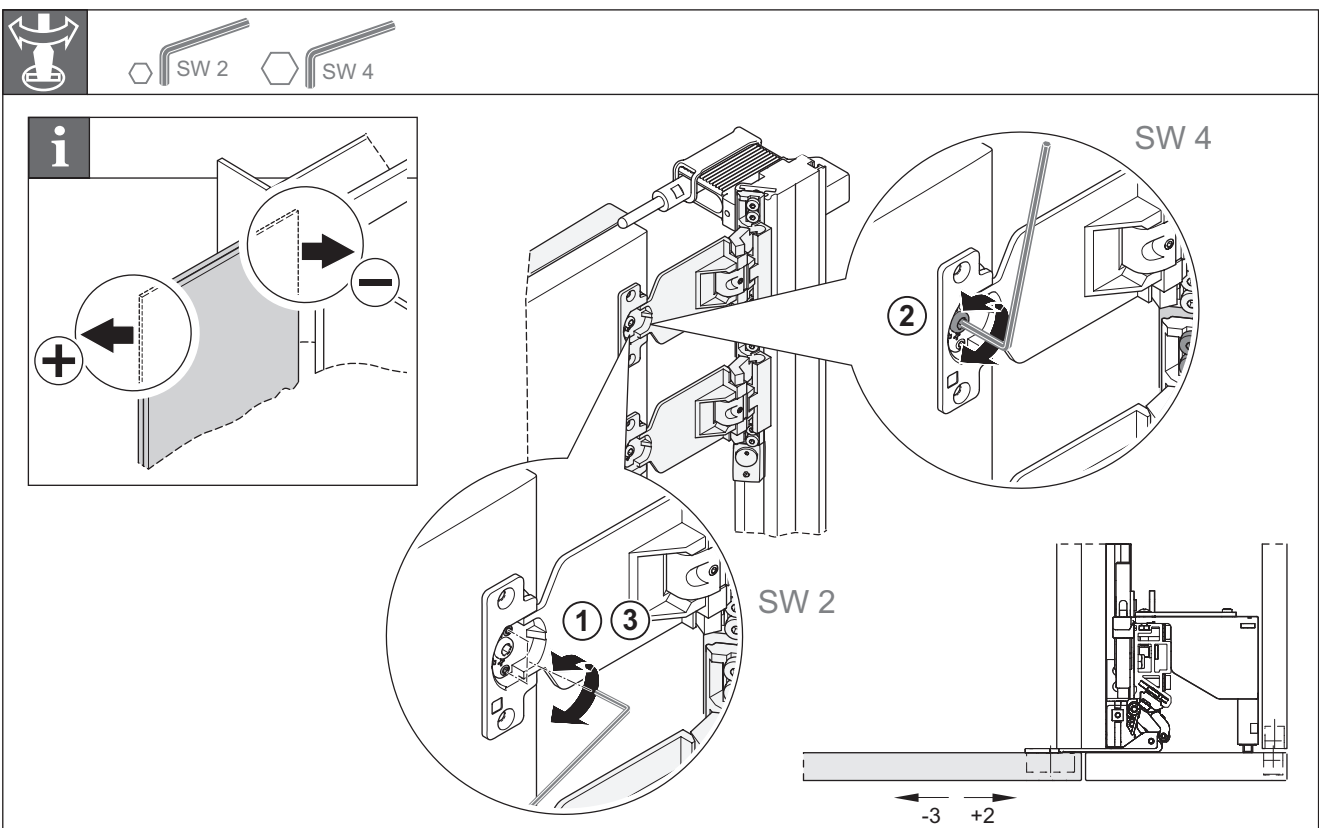


732.24.441

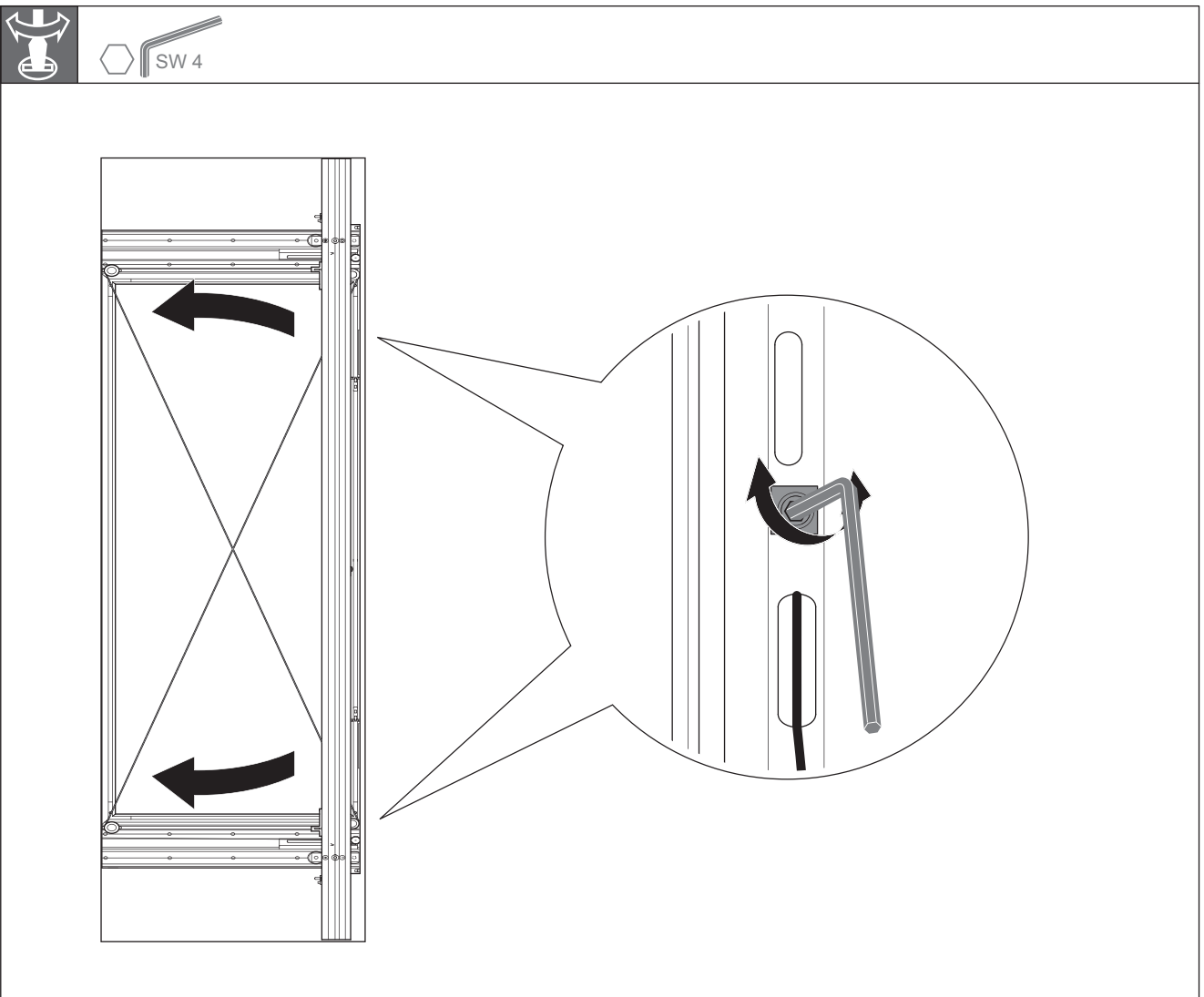
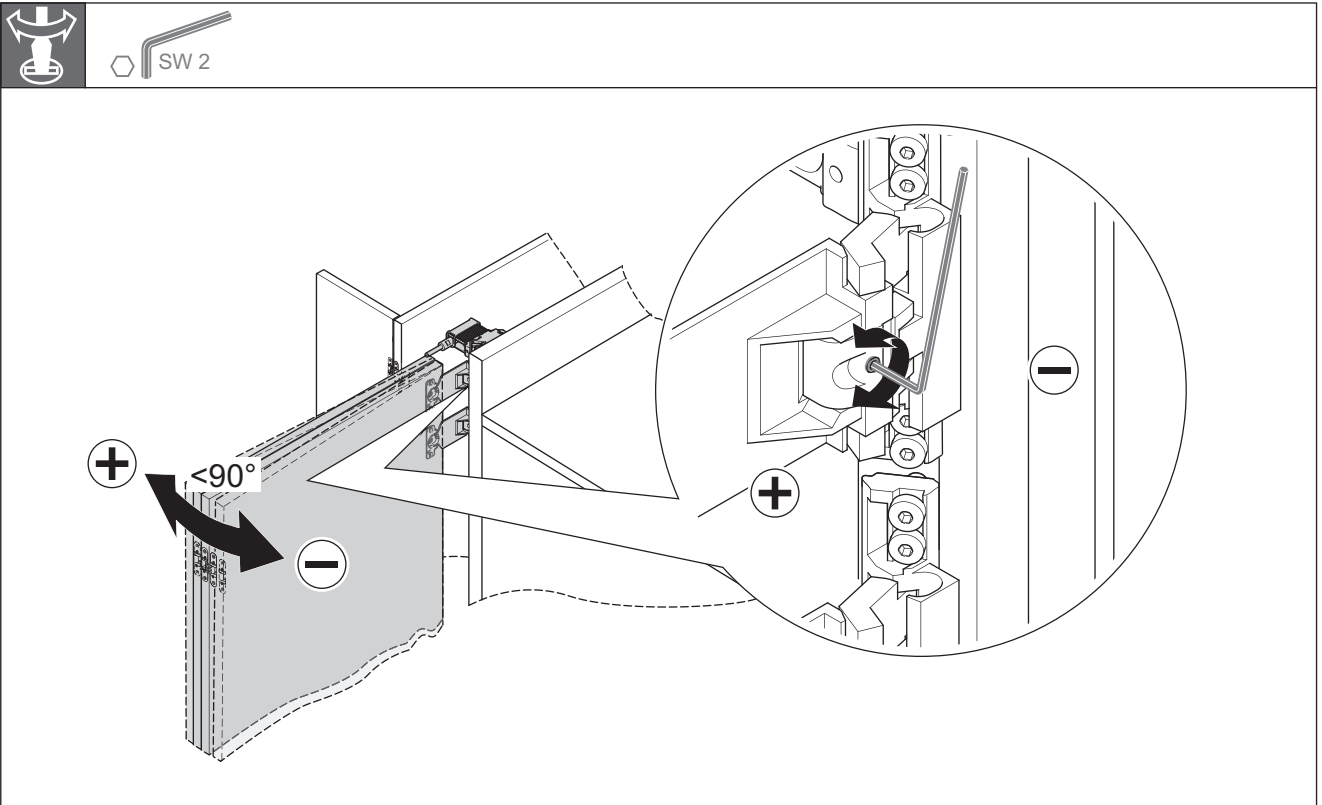
HDE 08.02.2024



732.24.441

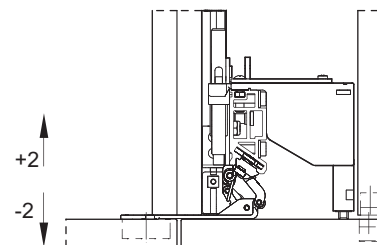
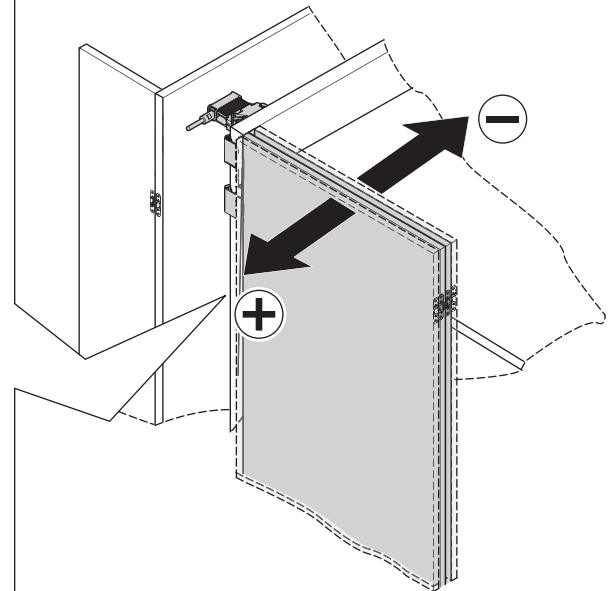
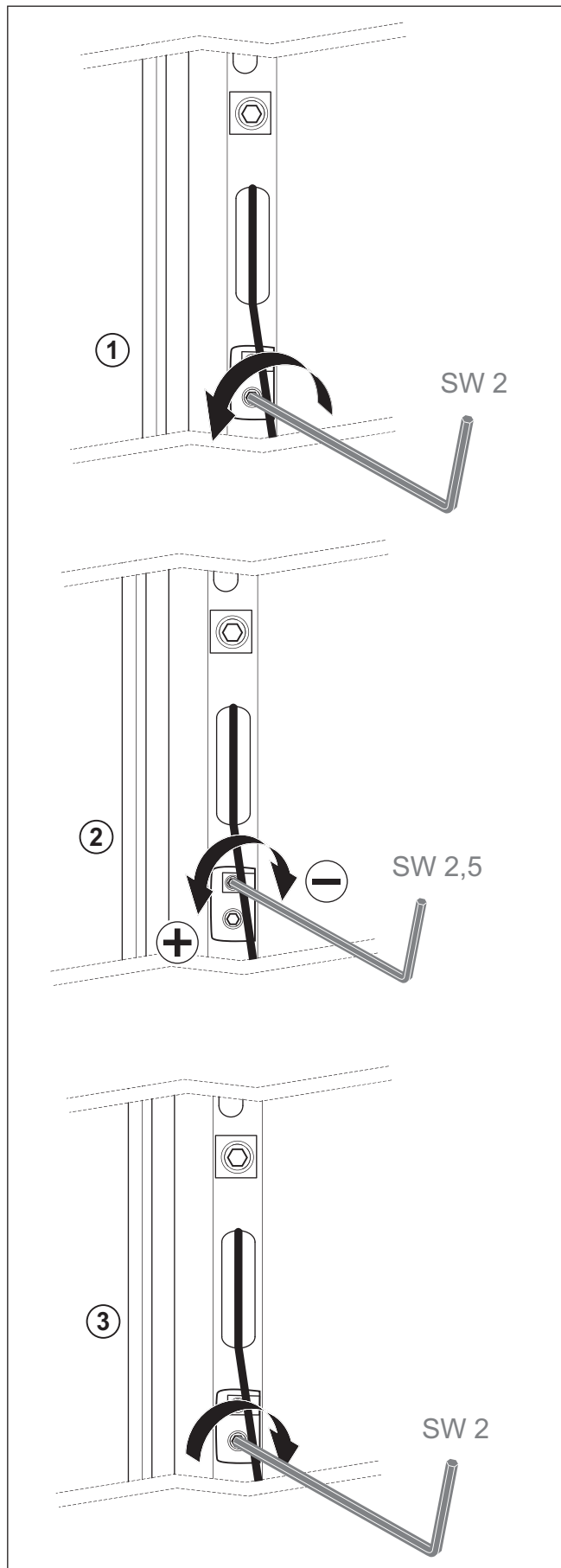


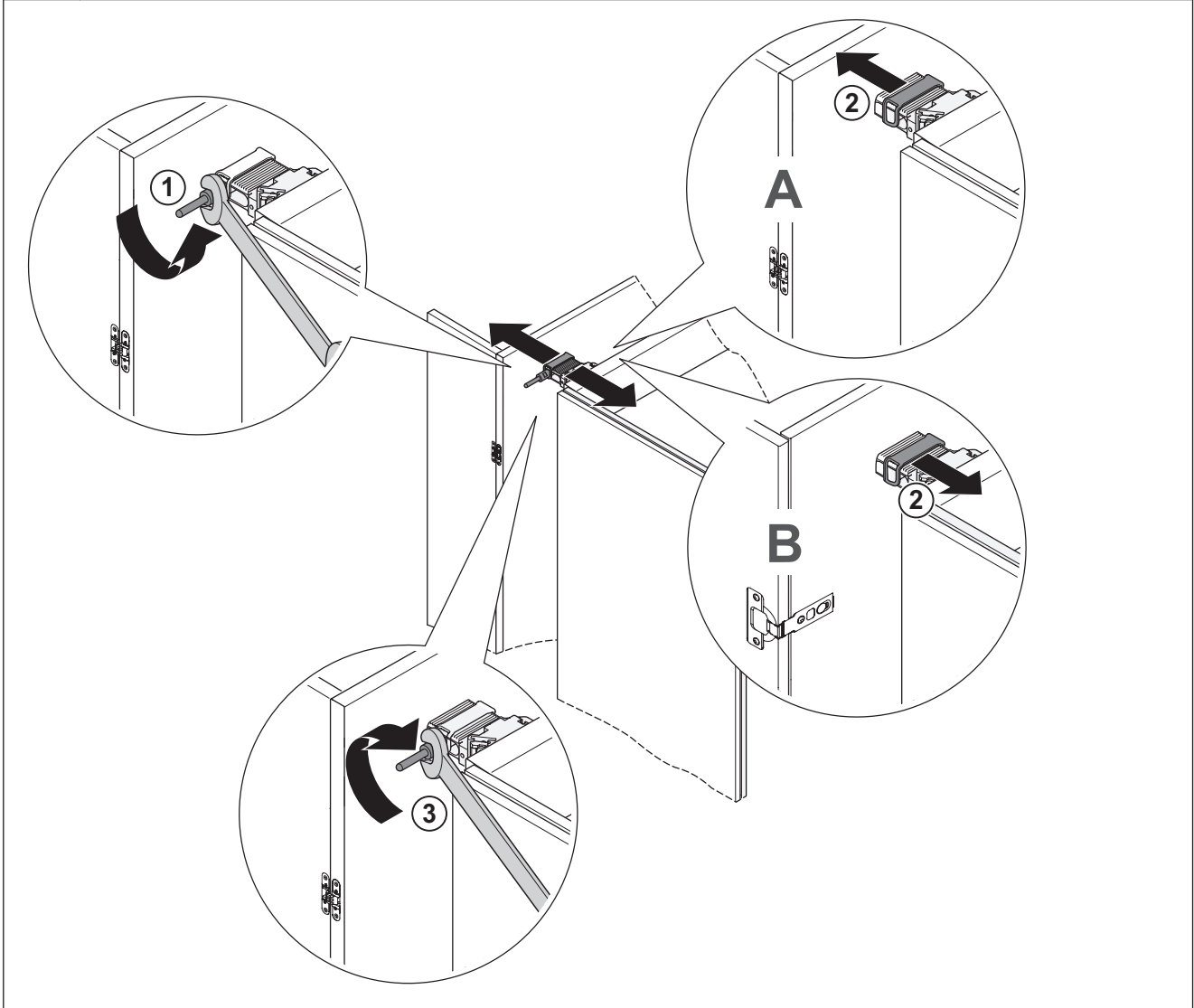
HDE 08.02.2024



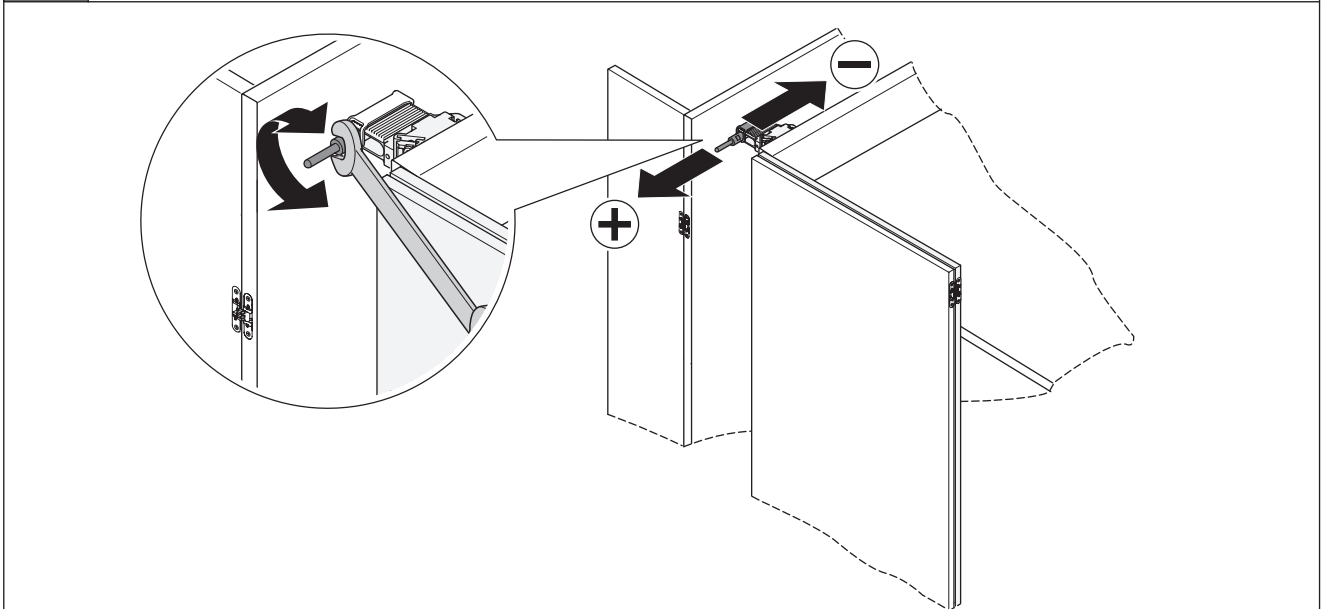
732.24.441

HDE 08.02.2024

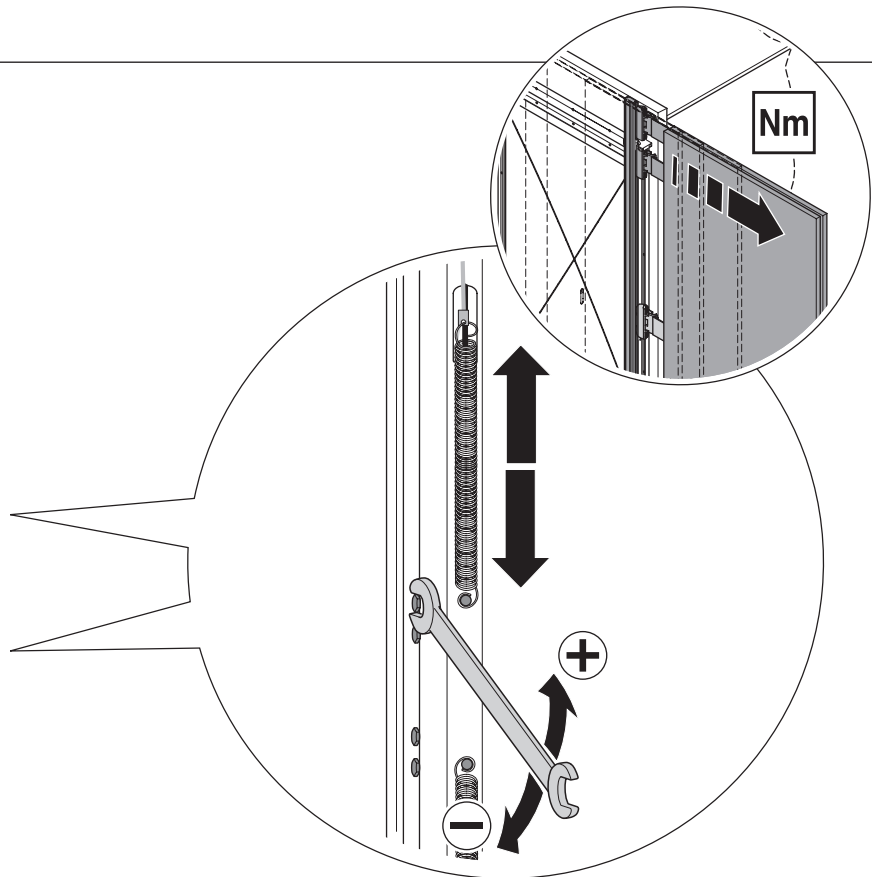
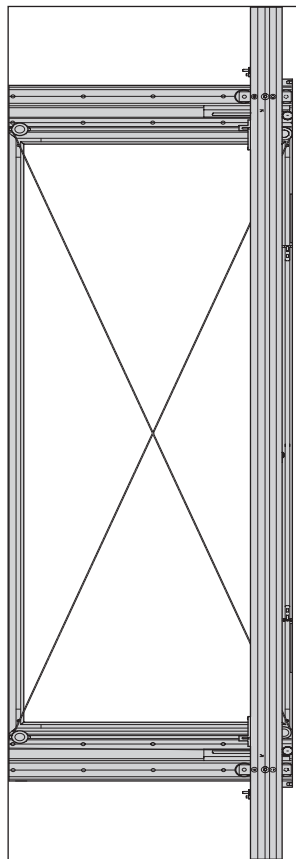
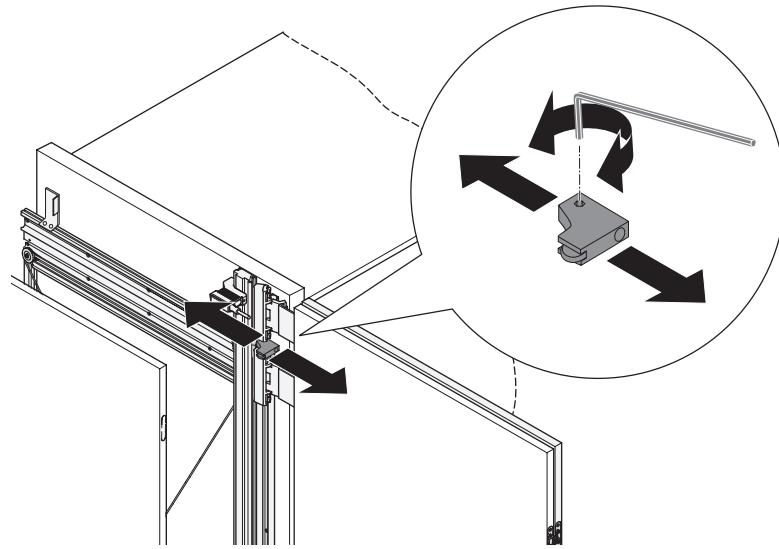


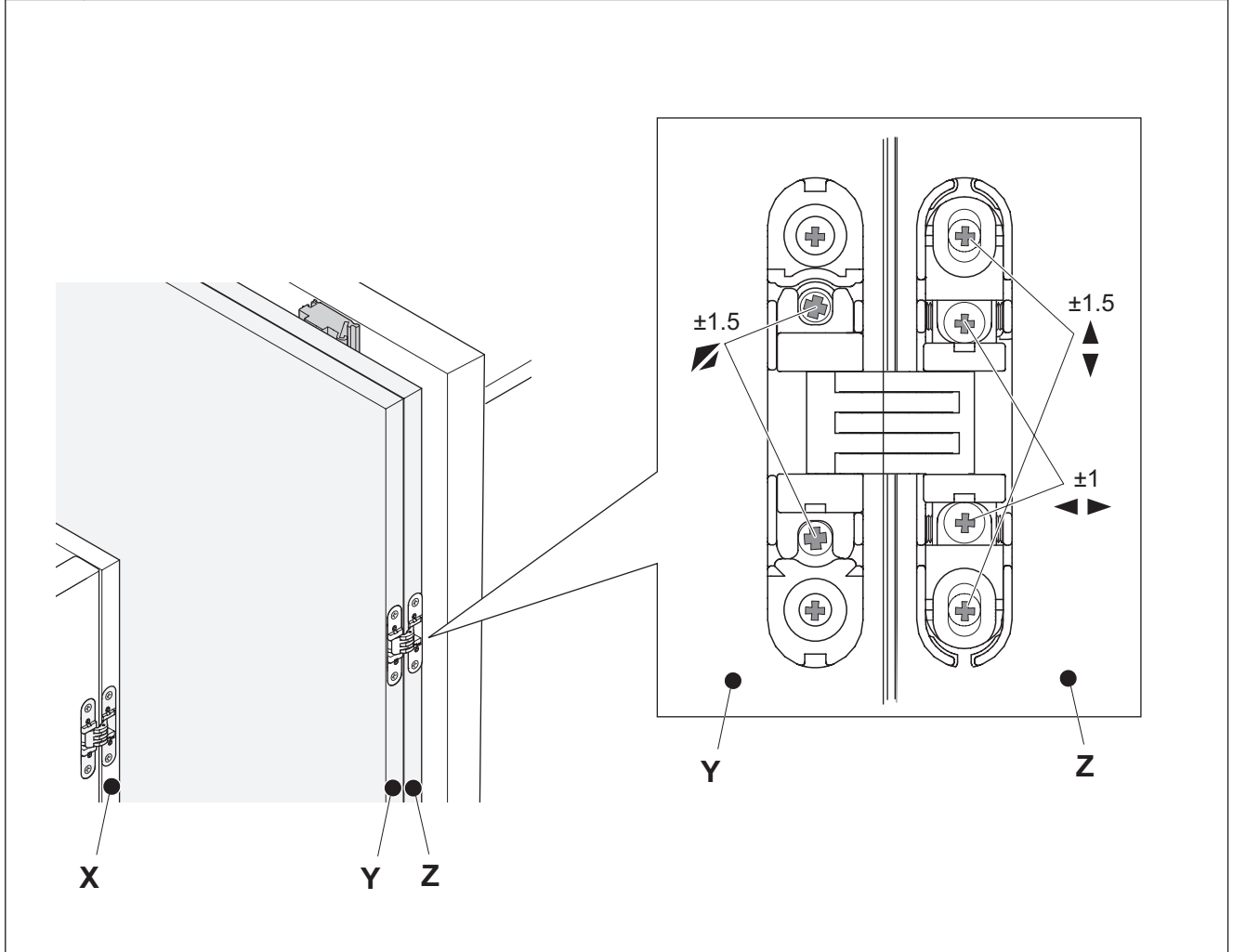


732.24.441



HDE 08.02.2024





732.24.441

HDE 08.02.2024

