









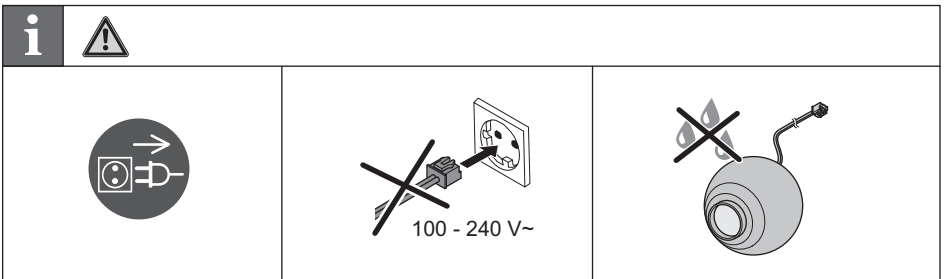
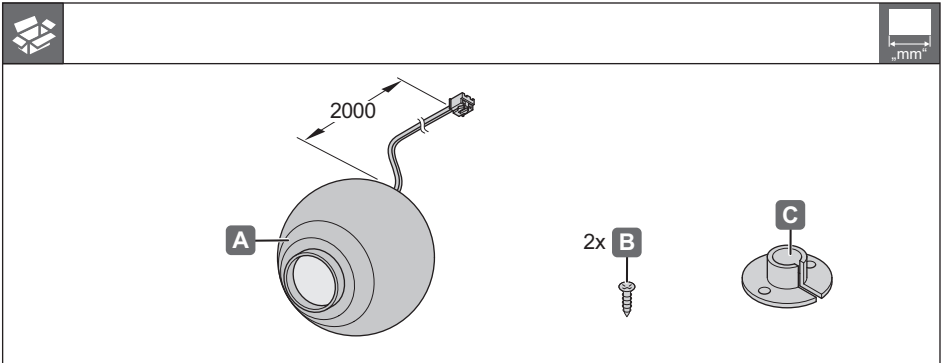


LED 4015

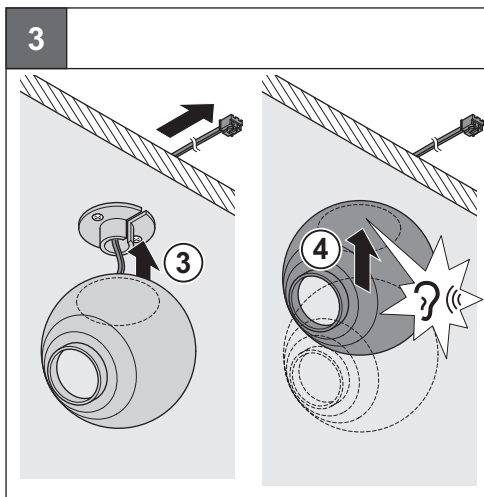
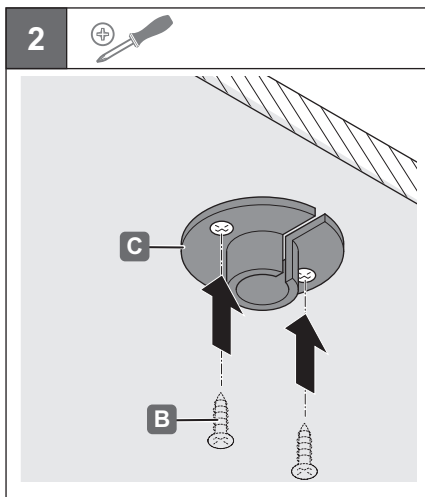
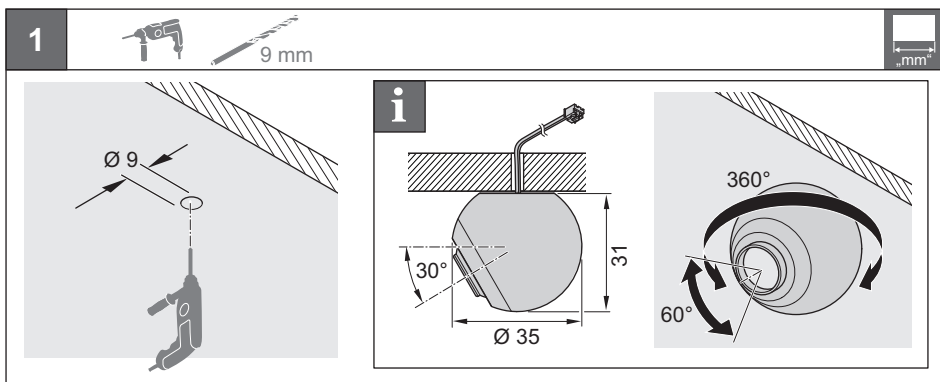
833.79.070 833.79.075
833.79.072 833.79.076

732.28.274

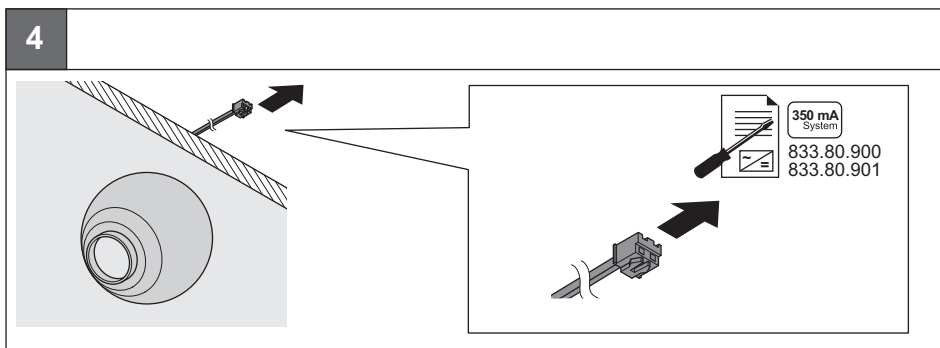
|  | K | W | T_A |  |  |  |
|--|----------|----------|-----------------------------------|---|---|--|
| 833.79.070  833.79.072  | 4000 K | 1.0 W | -20 °C – +35 °C -4 °F – +95 °F | Ø 35 x 31 | ≥ Ø 45 x 41 | 833.80.900 833.80.901 |
| 833.79.075  833.79.076  | 6000 K | | | | | |



HDE 04/2014



732.26.274



HDE 04/2014