


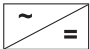
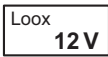


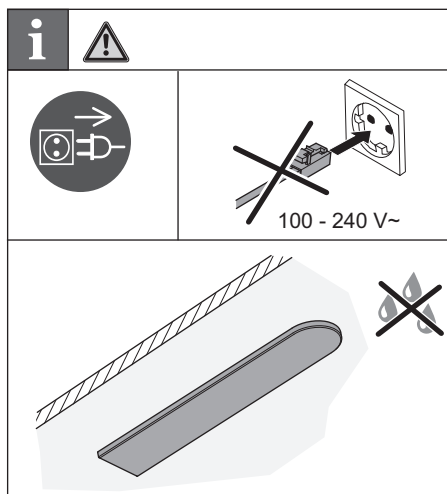
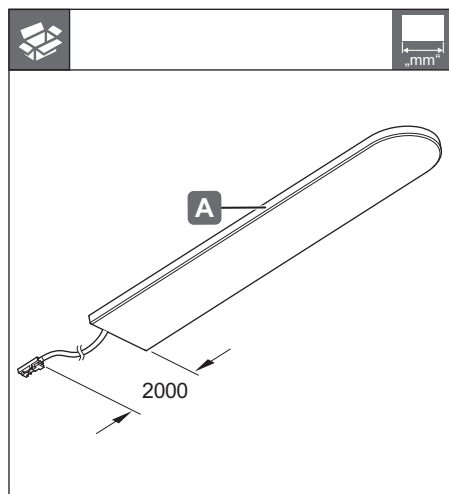


LED 2036

833.72.080
833.72.081
833.72.082

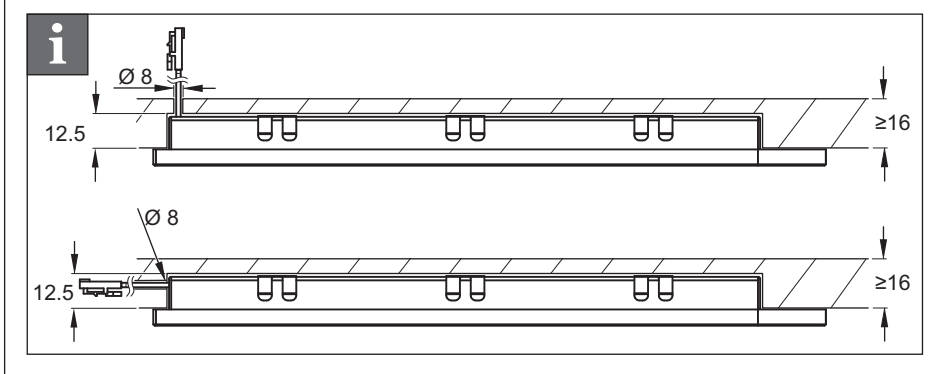
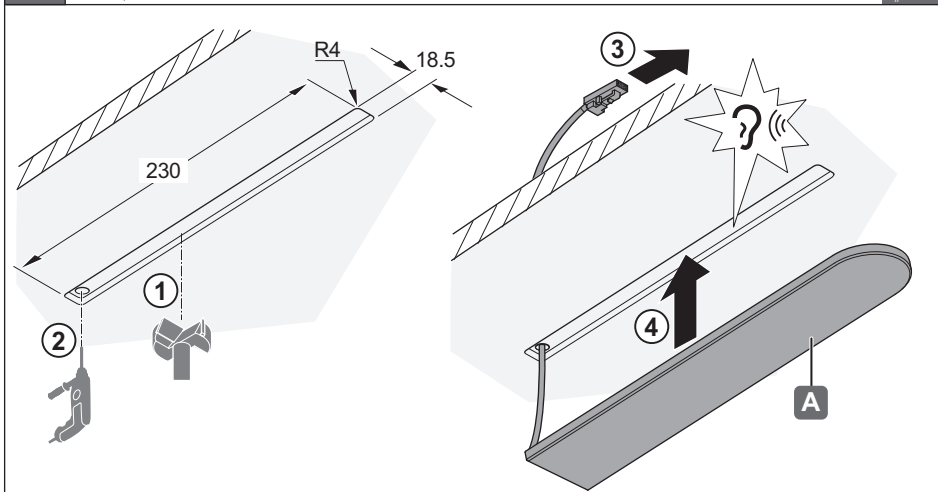
732.28.386

	K	W	T_A			
833.72.080	3000 K	3.6 W	-20 °C – +35 °C -4 °F – +95 °F	250 x 50 x 18.5	260 x 60 x 28.5	
833.72.081	4000 K					
833.72.082	5000 K					

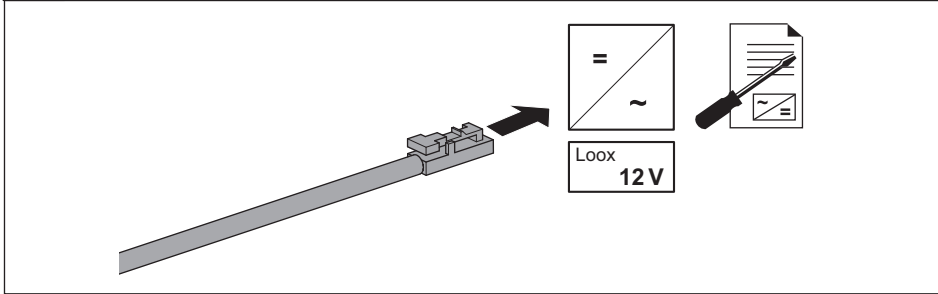


HDE 06/2015

1  8 mm   8 mm 



2



732.28.386

HDE 06/2015