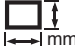

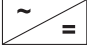
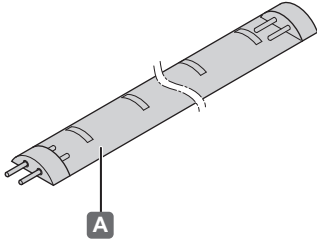




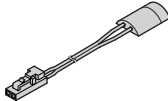
## LED 2011

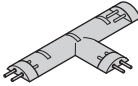
833.73.250, 833.73.252  
 833.73.260, 833.73.262  
 833.73.270, 833.73.300  
 833.73.310

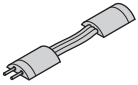
	12V System	K	W	T <sub>A</sub>	 mm	 mm			
<b>A</b>	<input type="checkbox"/> 833.73.250	5000 K	0.8 W	-20 °C – +35 °C -4 °F – +95 °F	300 x 8 x 2.5	≥ 310 x 18 x 3.5	833.74.900 833.74.901 833.74.913 833.74.914 833.74.917 833.74.918		
	<input checked="" type="checkbox"/> 833.73.270	5000 K							
	<input type="checkbox"/> 833.73.260	3200 K							
	<input type="checkbox"/> 833.73.252	5000 K							
<b>C</b>	<input type="checkbox"/> 833.73.262	3200 K	5.0 W		2000 x 8 x 2.5	≥ 2010 x 18 x 3.5			
	<input type="checkbox"/> 833.73.300	5000 K	0.2 W					75 x 8 x 2.5	≥ 85 x 18 x 3.5
	<input type="checkbox"/> 833.73.310	3200 K							




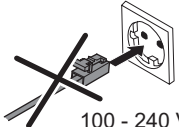
**+**

**B**  833.74.712

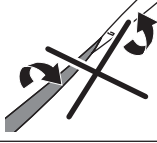
**C**  833.73.300 (5000 K)  
833.73.310 (3200 K)

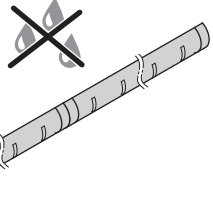
**D**  833.74.713

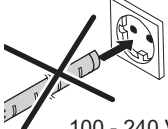
**i** 




100 - 240 V~







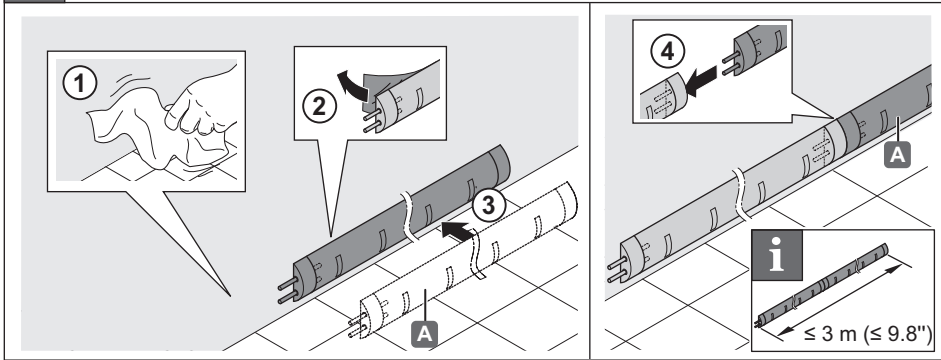
100 - 240 V~



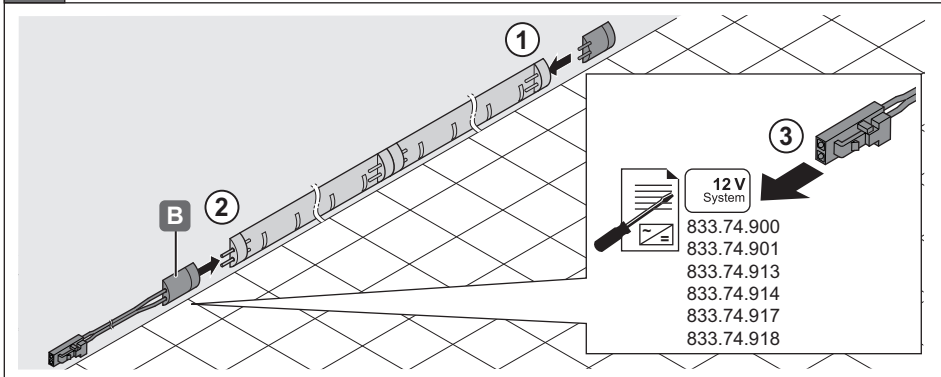
HDE 12.12.2012

732.28.210

1



2



+

