

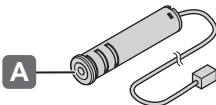


## LED Switches

833.89.040 833.89.044  
 833.89.041 833.89.045  
 833.89.042 833.89.046  
 833.89.043

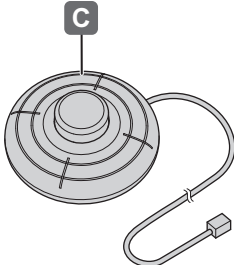
12 V System	24 V System	350 mA System	700 mA System		W	T <sub>A</sub>					
833.89.040					0.3W-30W	-10 °C – +45 °C 14 °F – +113 °F	Ø 13 x 60				
833.89.041				20°							
833.89.042				120°					-10 °C – +34 °C 14 °F – +93.2 °F	Ø 13 x 65	833.74.900 833.74.901
833.89.043										Ø 13 x 60	833.77.900 833.77.901
833.89.044										Ø 13 x 29.5	833.80.900 833.80.901
833.89.045										Ø 13 x 28	833.83.900 833.83.901
833.89.046										Ø 70 x 28	

833.89.040  
833.89.041  
833.89.042  
833.89.043  
833.89.044  
833.89.045



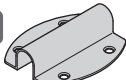
**A**

833.89.046





**C**

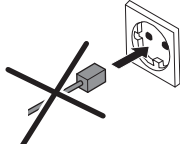
**+** **B**



833.89.049   
833.89.048

4x  (3 x 14)

**i** 



100 - 240 V~

HDE 05.07.2012

732.28.398

**1**

13 mm

833.89.040  
833.89.041  
833.89.042  
833.89.043  
833.89.044  
833.89.045  
~~833.89.046~~

1  
2  
3  
4

**2**

8 mm

833.89.040  
833.89.041  
833.89.042  
833.89.043  
833.89.044  
833.89.045  
~~833.89.046~~

32 X+8 32

1

2  
3

	X
833.89.040	3 – 80
833.89.041	3 – 80
833.89.042	0 – 3000

„mm“

**3**

833.89.040  
833.89.041  
833.89.042  
833.89.043  
833.89.044  
833.89.045  
833.89.046

833.74.900	12 V System
833.74.901	12 V System
833.77.900	24 V System
833.77.901	24 V System
833.80.900	350 mA System
833.80.901	350 mA System
833.83.901	700 mA System
833.80.901	700 mA System