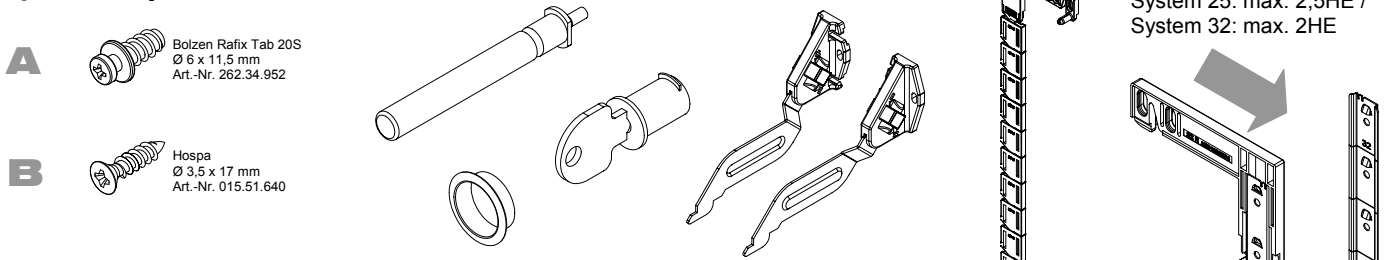


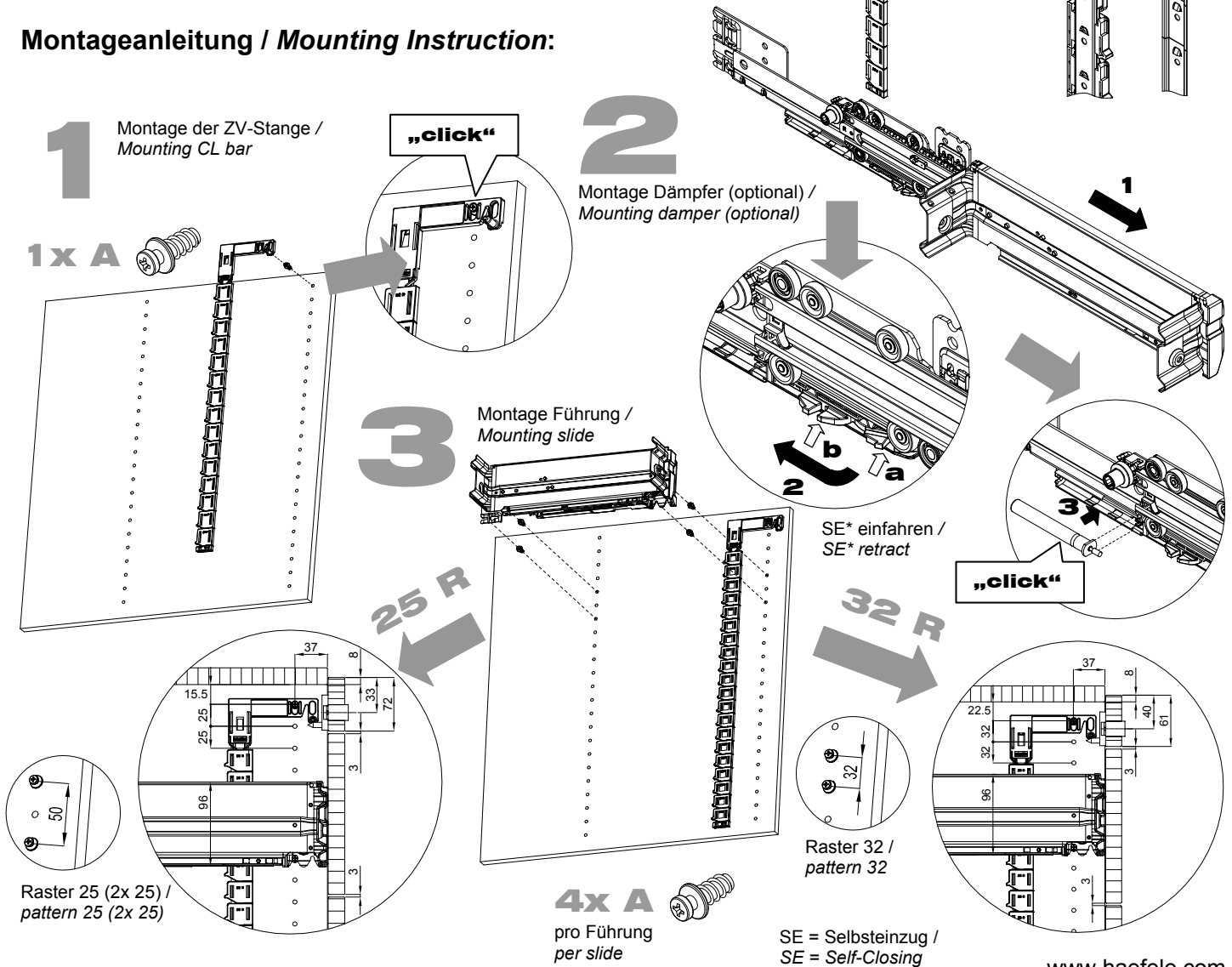
Packungsinhalt / Content:

Anzahl / Number			
___ Paar / pair	___ Paar / pair	___ Paar / pair	___ St. / pc.

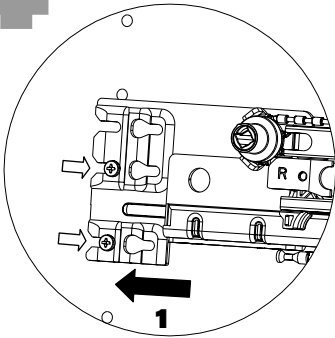
Option / Option:



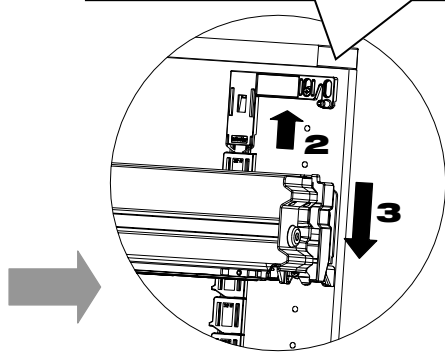
Montageanleitung / Mounting Instruction:



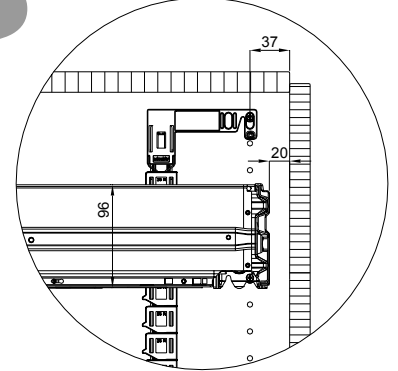
4 Einhängen Führung /
 Placement slide



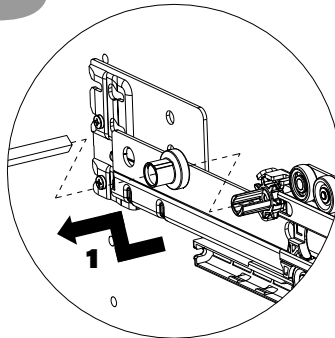
Achtung: Schliessstange anheben /
Attention: Locking system lifting on !



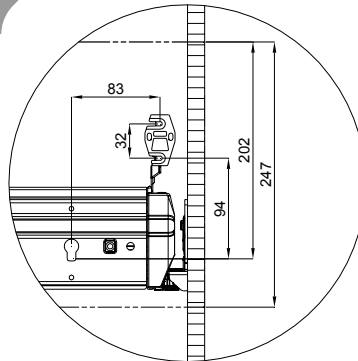
5 Montage hinter Türen /
 Mounting behind doors



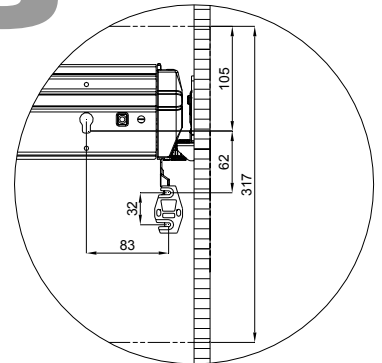
6 Montage Parallelsteuerung /
 Mounting anti racking device



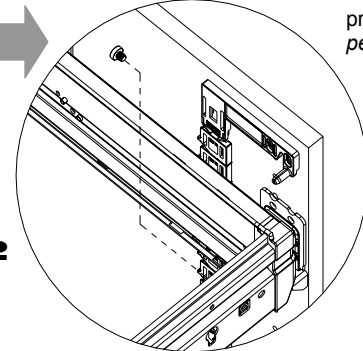
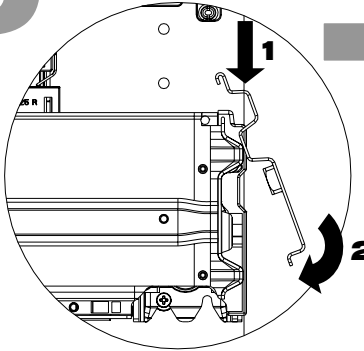
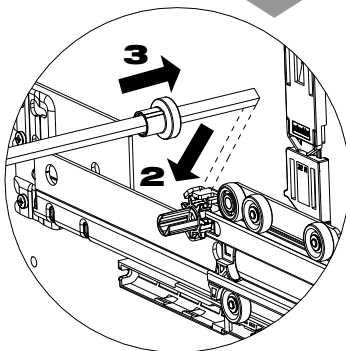
7 Montage Blendenstütze oben /
 Mounting front panel support ahead



8 Montage Blendenstütze unten /
 Mounting front panel support down

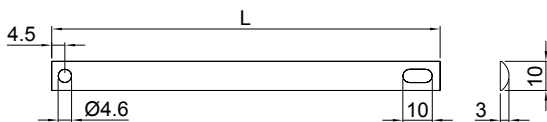


9 Montage Querprofil /
 Mounting front/back panel



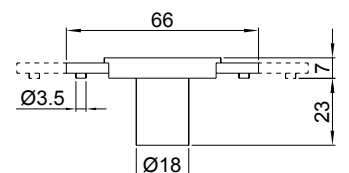
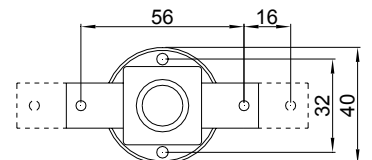
2x 
 pro Querprofil
 per front/back panel

10 Berechnung Schubstange
 Calculation profiled rod



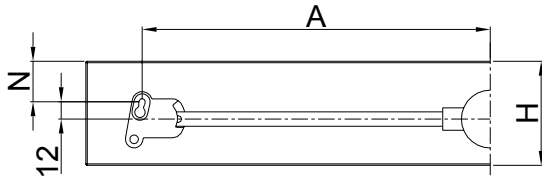
$$L = \frac{EBB^* - 67 \text{ mm}}{2}$$

* EBB = Einbaubreite / installation width



11

Berechnung Bohrbild Verriegelungsmechanik System 25/32 /
 Calculation drilling dimensions for locking mechanics System 25/32



	Raster 25	Raster 32
N	33	40
H	72	61

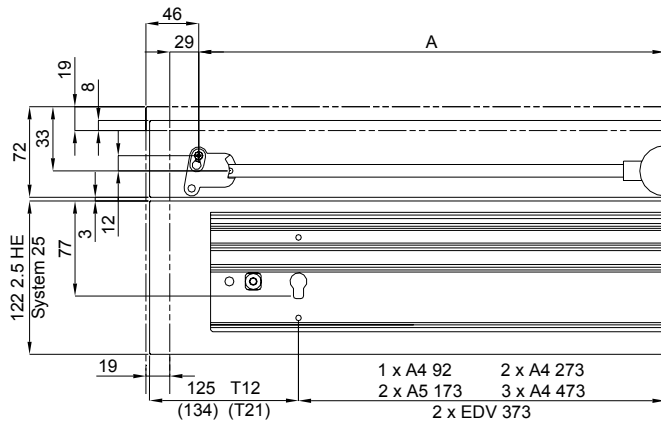
$$A = \frac{EBB^* - 58 \text{ mm}}{2}$$

* EBB = Einbaubreite / installation width

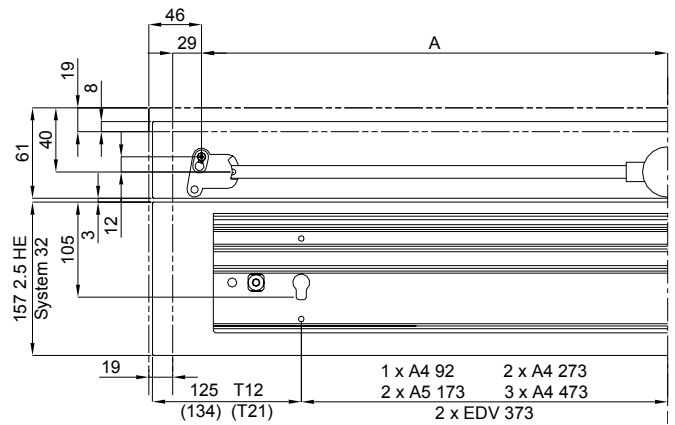
12

Berechnung Bohrbild Feste/Ausziehbare Blende System 25/32 /
 Calculation drilling dimensions for solid/extending cover System 25/32

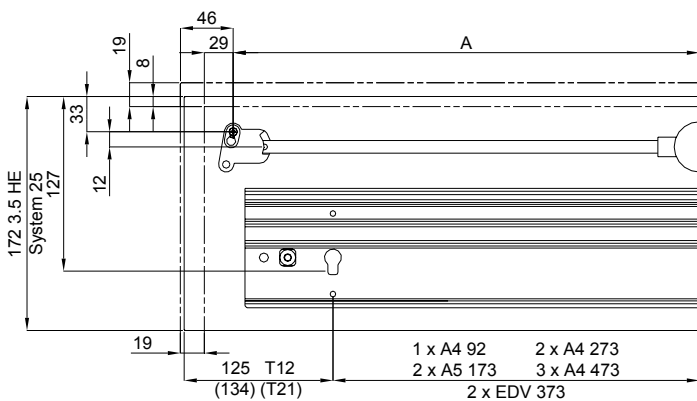
Feste Blende System 25 /
 Solid cover System 25



Feste Blende System 32 /
 Solid cover System 32



Ausziehbare Blende System 25 /
 Extending cover System 25



Ausziehbare Blende System 32 /
 Extending cover System 32

